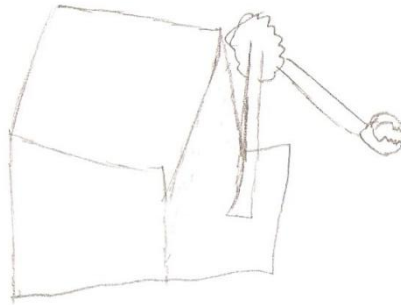
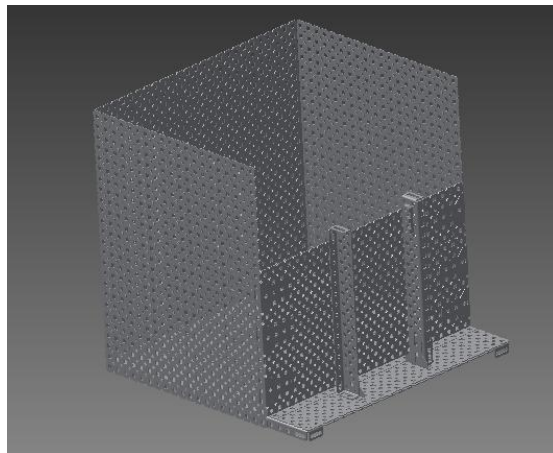


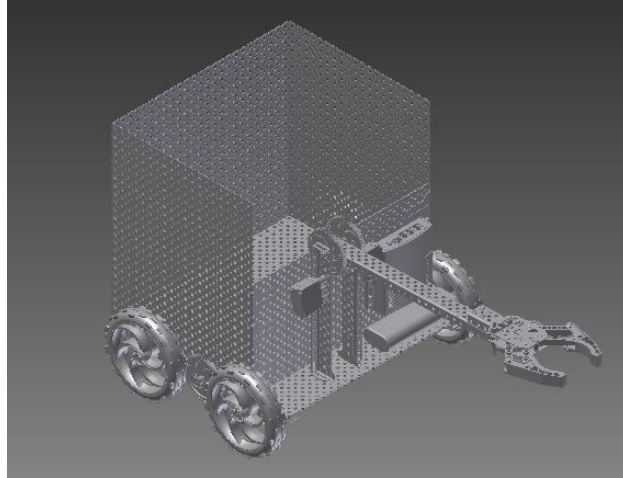
Design Process



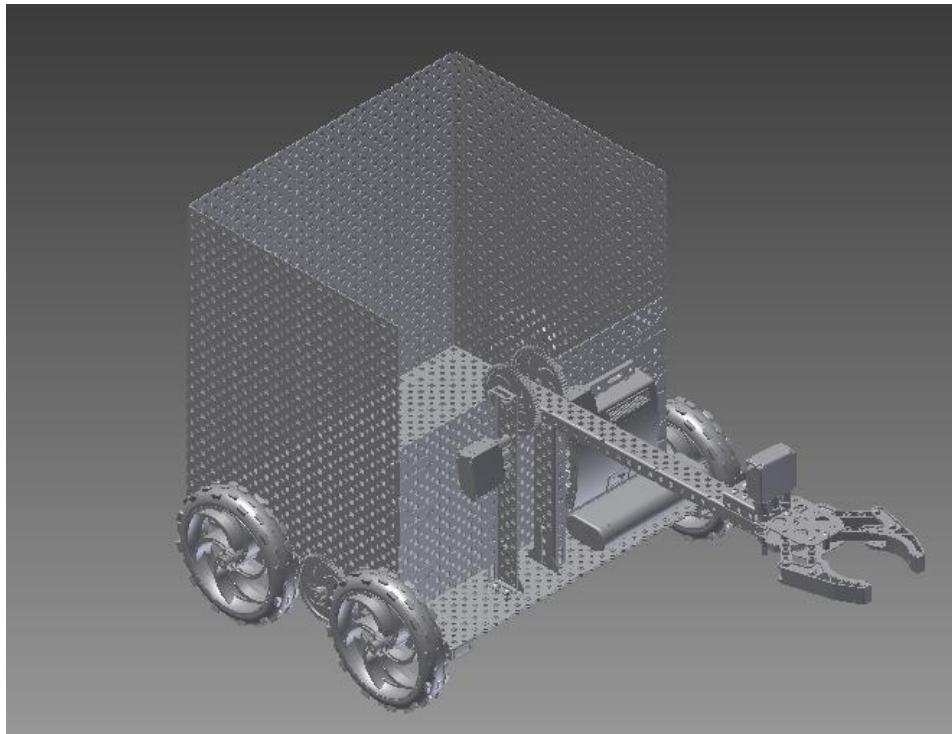
The first thing I did to design this robot was draw a rough sketch illustrating the main idea of the robot.



I then constructed the frame in Autodesk Inventor.



After the frame was made, I added the wheels, claw, and motor along with the microprocessor and battery.



I then made minor tweaks and the robot was finished.