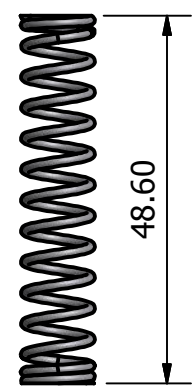
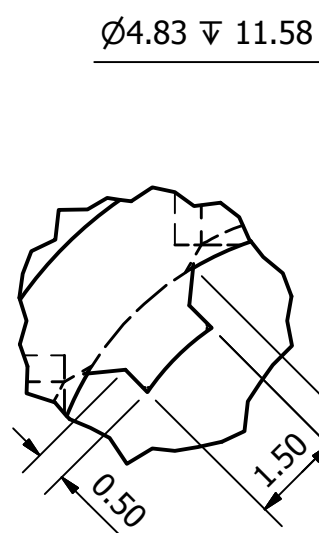




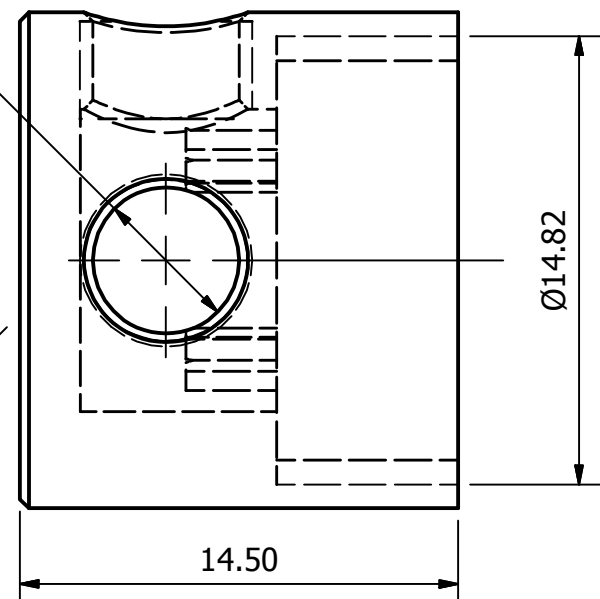
ISOMETRIC VIEW
SCALE 1 : 1



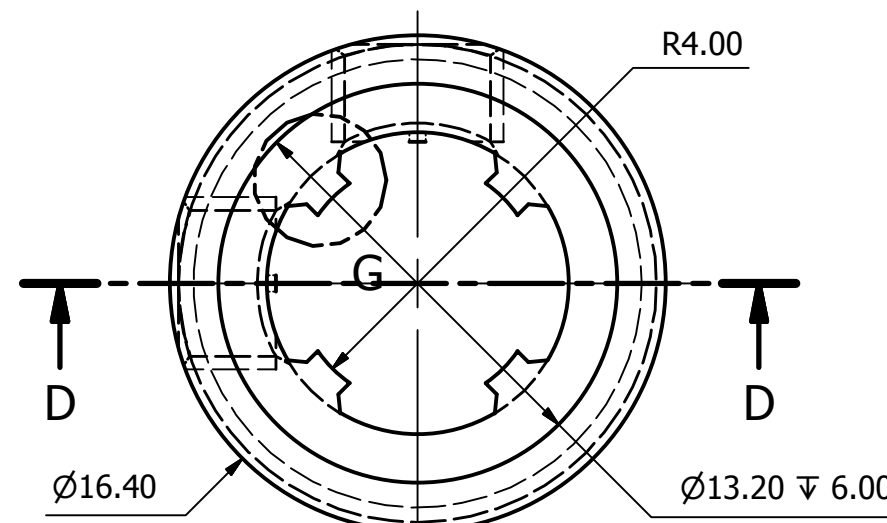
SPRING SPECS	
PROPERTY	VALUE (mm)
ACTIVE COILS	12
COIL DIAMETER	9.8
FREE LENGTH	48.6
MATERIAL	NICKEL ALLOY X750
MAX LOAD	65N (120 PSI)
STROKE	22.435
WIRE DIAMETER	1.22
k	2897 N/m



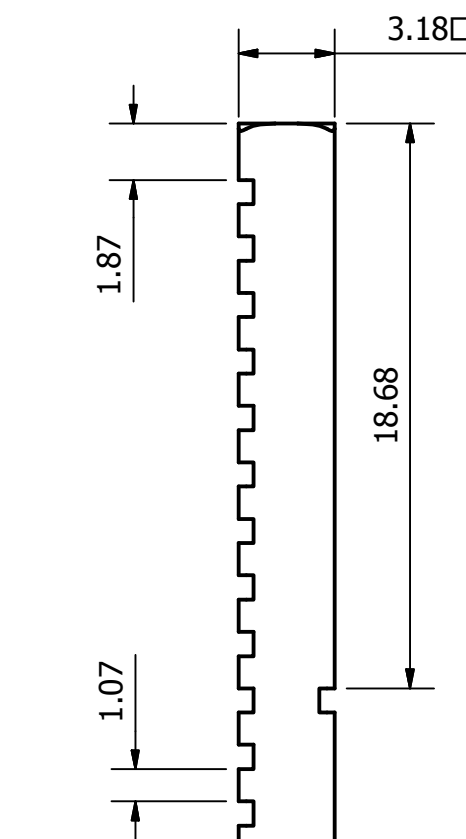
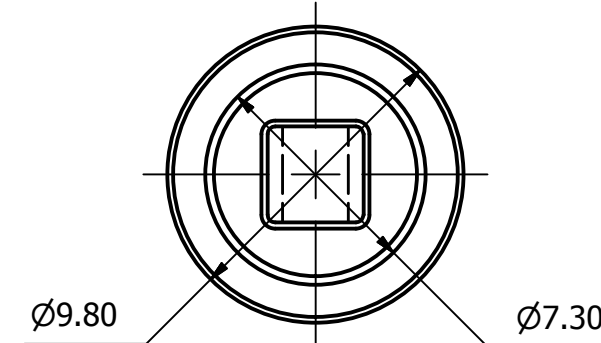
DETAIL G
SCALE 8 : 1



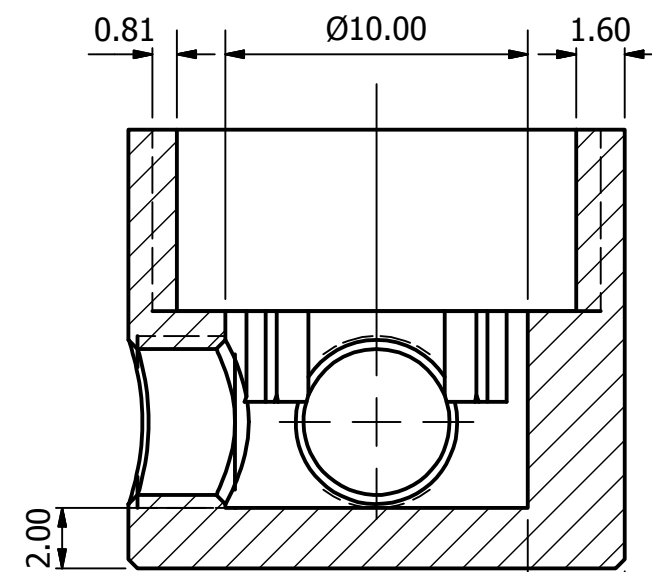
BASE FRONT ELEVATION



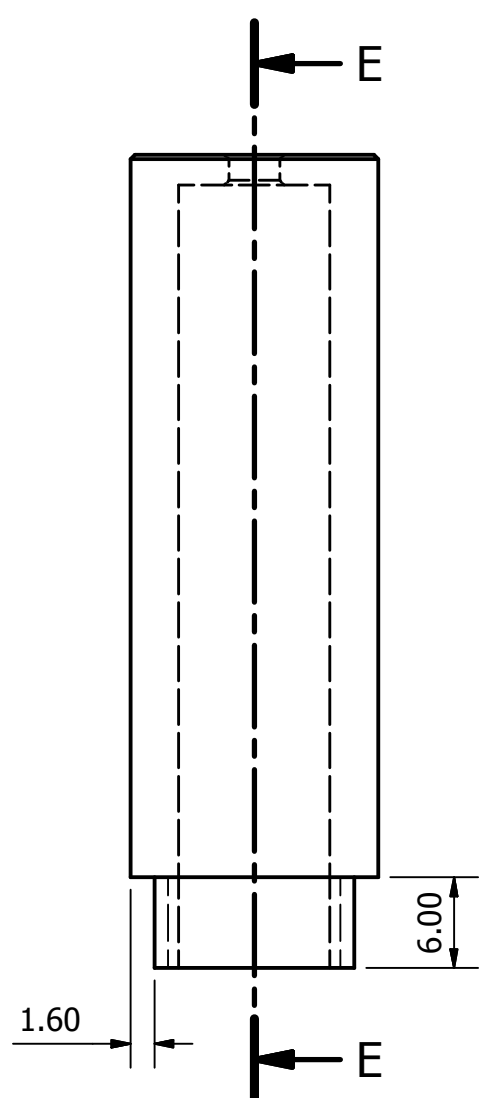
BASE PLAN
SCALE 4 : 1



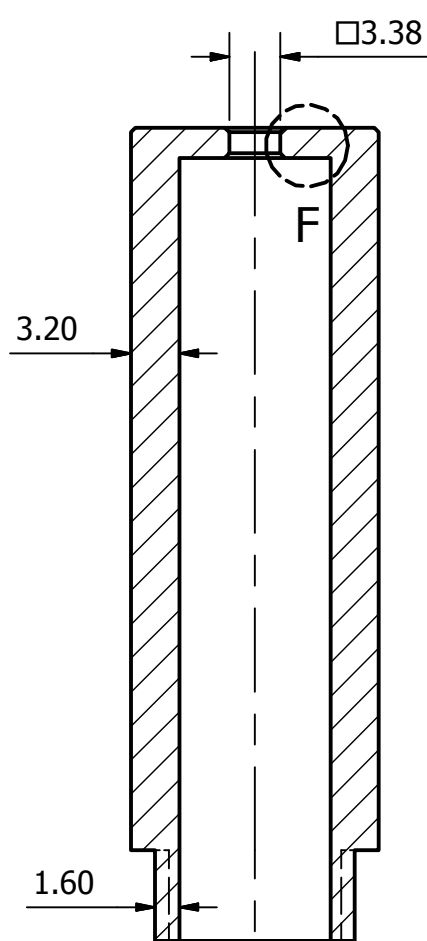
ROD FRONT
SCALE 4 : 1



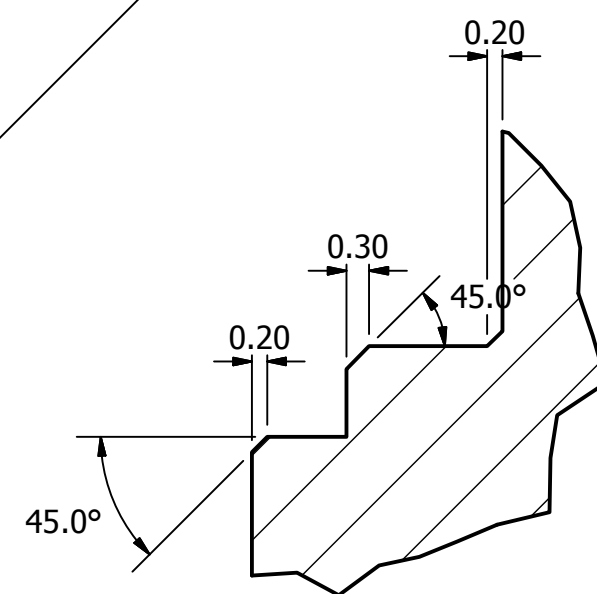
SECTION D-D



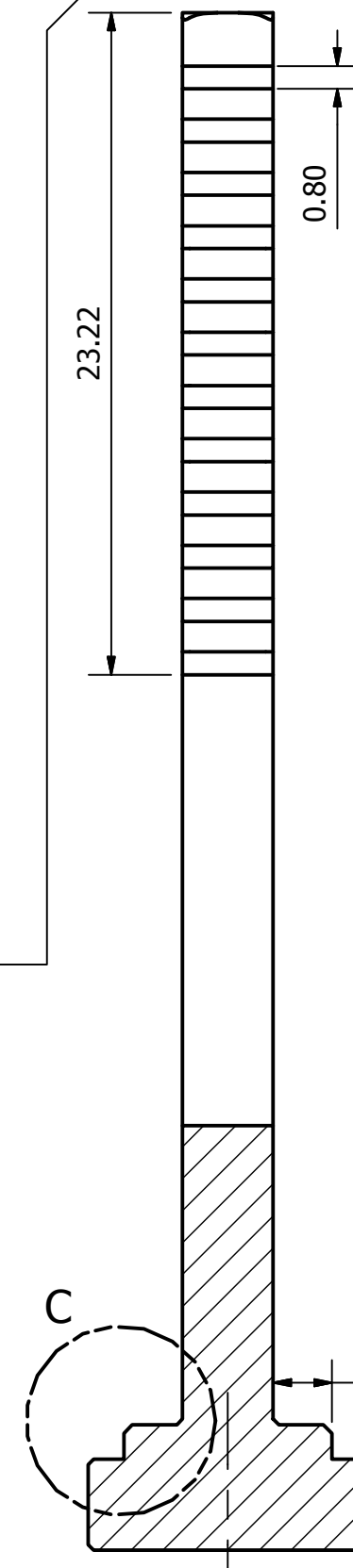
SHELL FRONT ELEVATION
SCALE 2 : 1



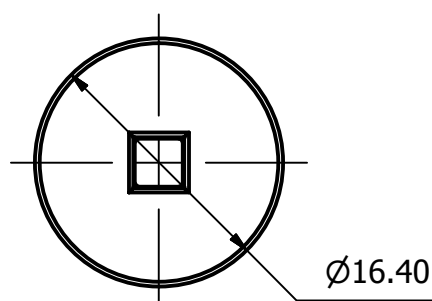
SECTION E-E



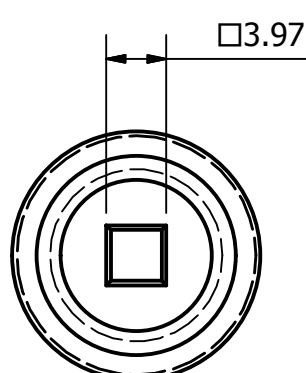
DETAIL C
SCALE 10 : 1



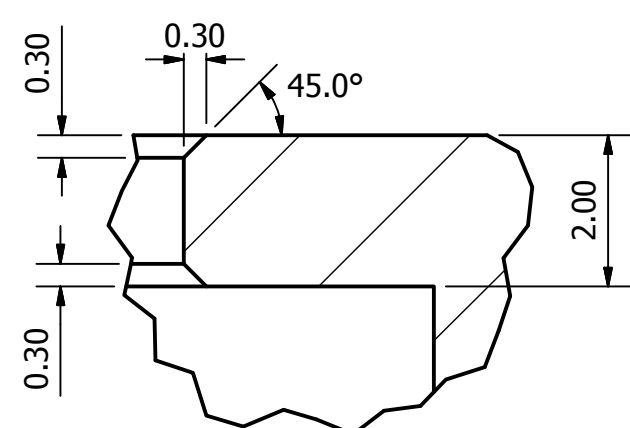
SECTION B-B



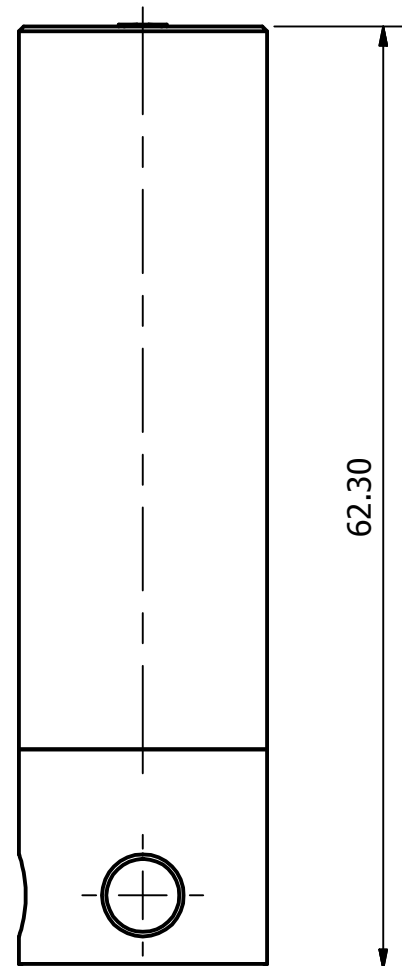
62.30



SHELL PLAN



DETAIL F
SCALE 10 : 1



FRONT ELEVATION ASSEMBLY
SCALE 2 : 1

DRAWN 2906A	10-01-2015	TITLE		
CHECKED		PNEUMATIC PRESSURE GAUGE - CAD CHALLENGE 2014-2015		
QA		SIZE	DWG NO	REV
MFG		C		
APPROVED		SCALE	SHEET 1 OF 1	