

## Redesign Motor V12

In automotive mechanics, a V12 engine has two banks of six cylinders crankcase and common crankshaft to both, usually with an aperture of  $60^\circ$  or  $120^\circ$  between them.

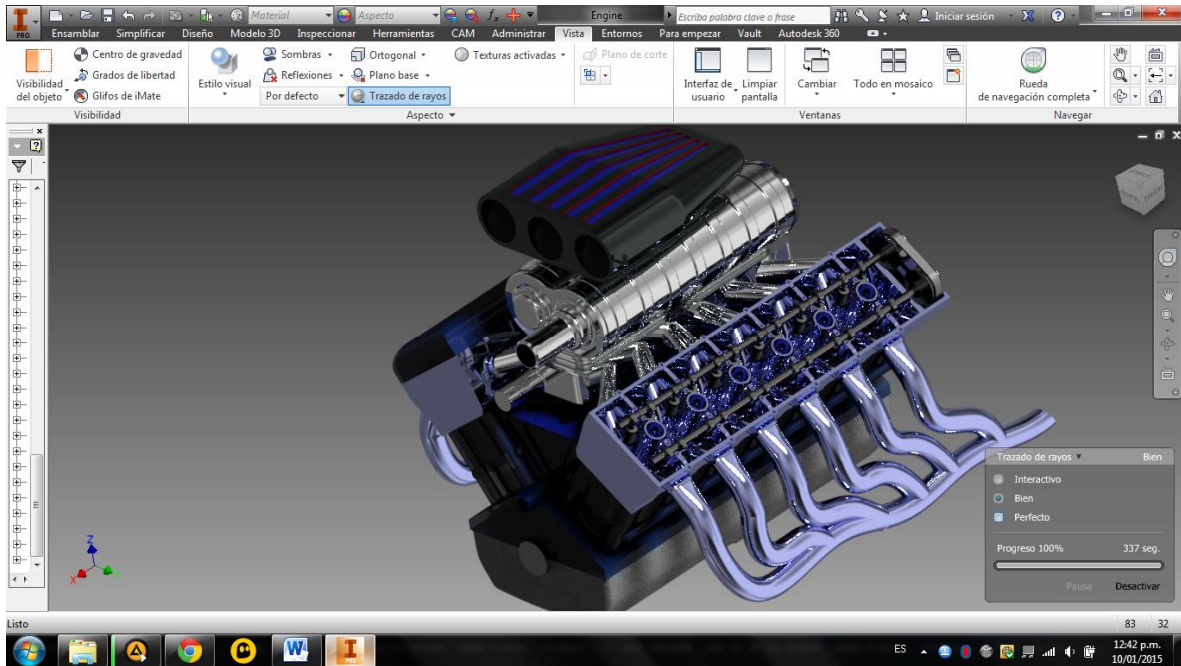
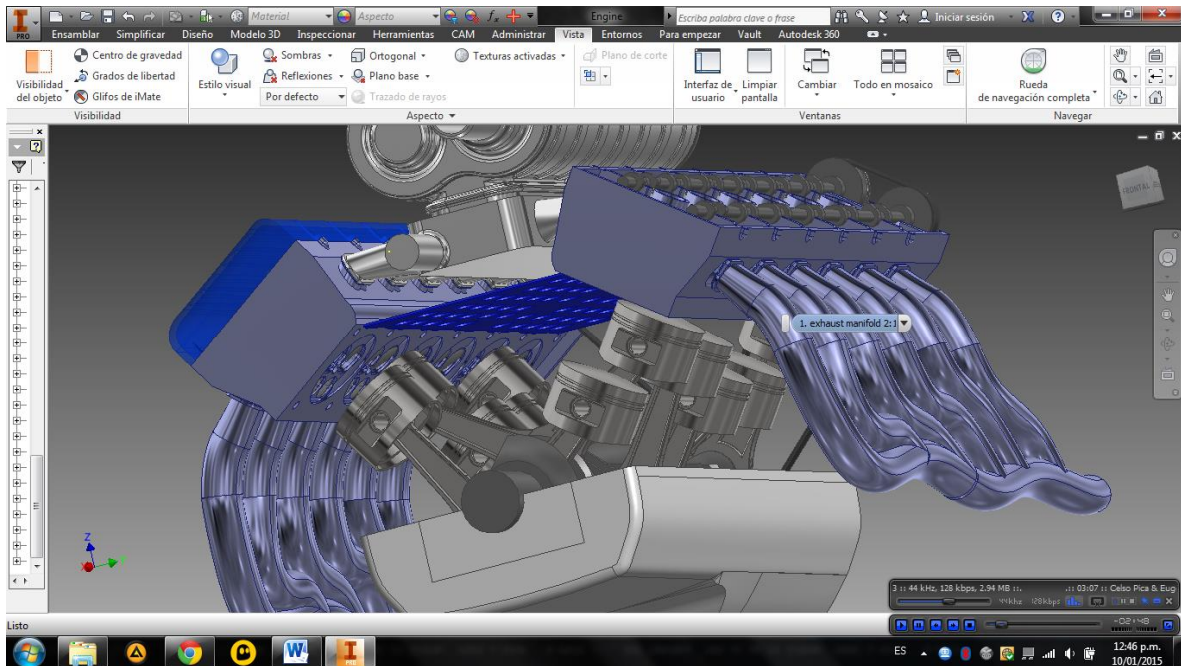


Image in the inside of the pistons are shown



Note, all movements are synchronized, camshaft, pistons, air intake.

