

Emma Carroll

## Texas Instruments Electronics Online Challenge

Device selected to deconstruct: Chi flat iron

Recently my Chi flat iron started to spark and smoke in the outlet. I tried to return it but it would cost more to repair than to replace. So I thought well if I cannot return it why not just take it apart!

Capacitor: Stores electricity temporarily

Resistors: Implements electric movement

Transistor: Is a semi-conductor that has the connection

Zener Diode: Allows current to flow backward and forward

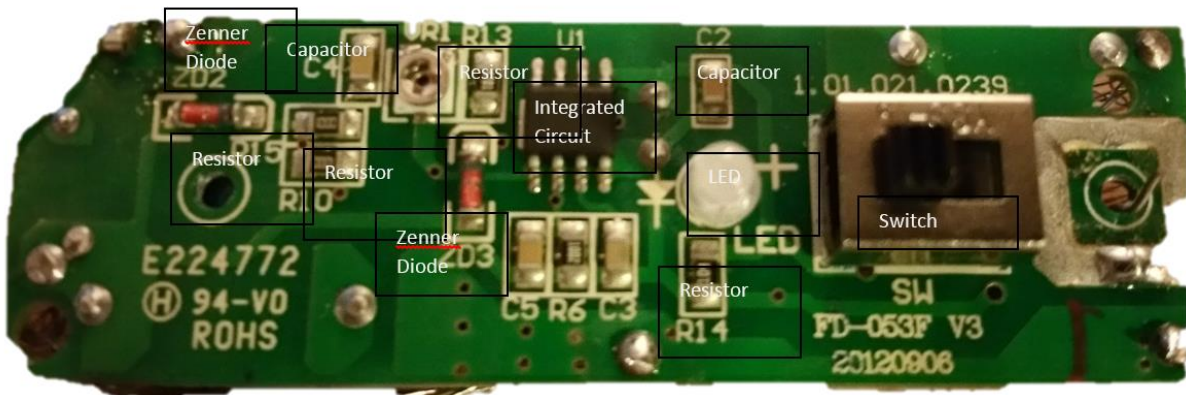
Integrated Circuit: A chip made out of semi-conductor material

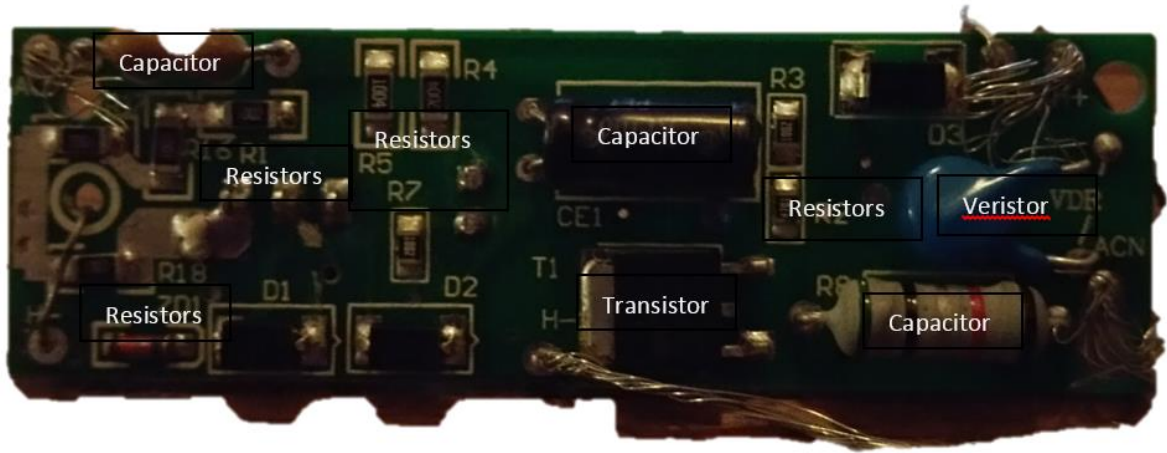
Switch: Turns things on and off

LED: A light emitting diode

Veristor: Has electronic resistance that varies

I learned how to take apart certain things and how to tell certain components apart.





Capacitor

Resistors

Capacitor

Resistors

Resistors

Veristor

Resistors

Transistor

Capacitor