
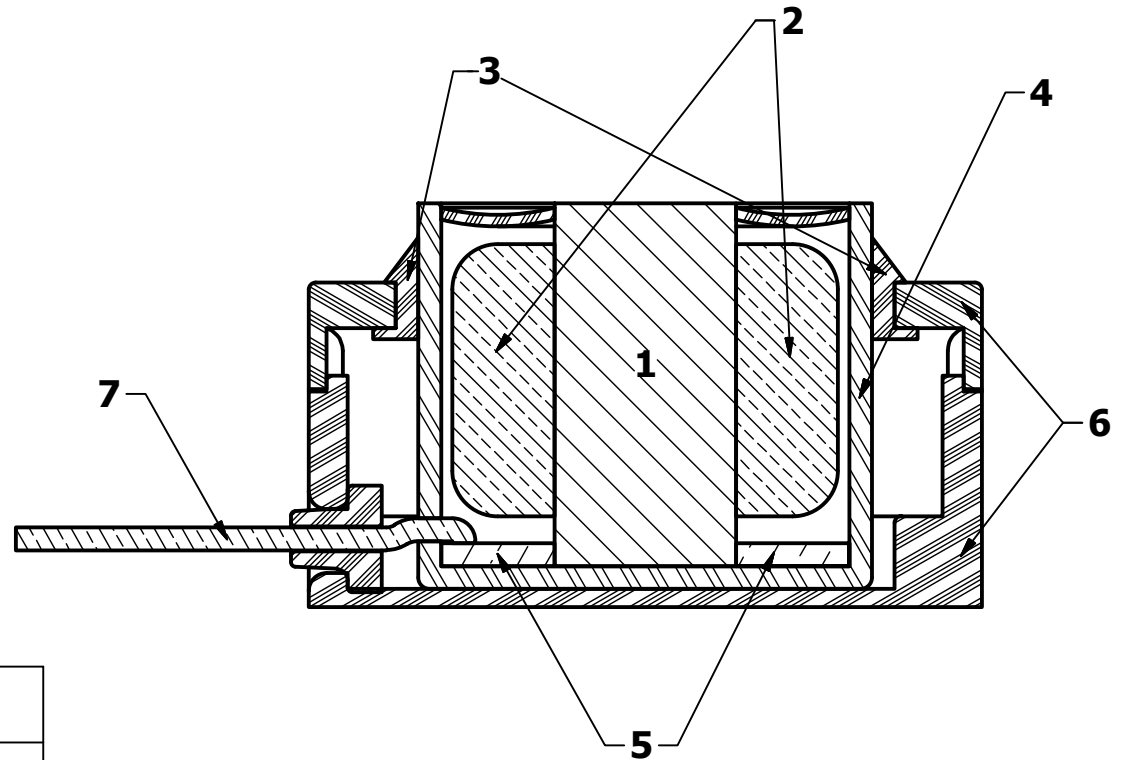
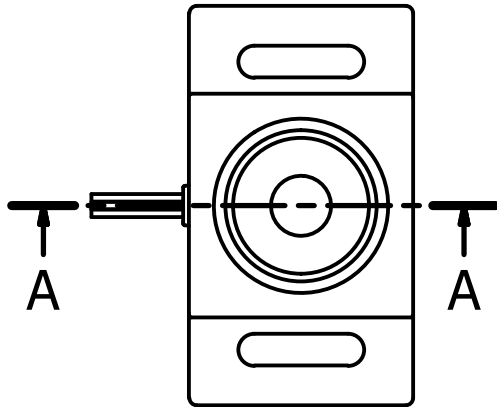


*All mesures in millimeters


Desing by		4423D Masters Delta		Fecha	
				04/01/2017	
		Electromagnetic Holder			
		Colegio San Pedro Claver		Escale	Page
				1:1	1 / 2

A-A (3 : 1)



1	Ferromagnetic Iron Core
2	Copper Coil
3	Rubber Support
4	Steel Cylindrical Wall
5	Circuitboard
6	Plastic Structure
7	3-Wire Cable

*All mesures in millimeters

Desing by		4423D Masters Delta		Fecha	
				04/01/2017	
		Electromagnetic Holder			
		Colegio San Pedro Claver		Escala	Page
				1:1	2 / 2