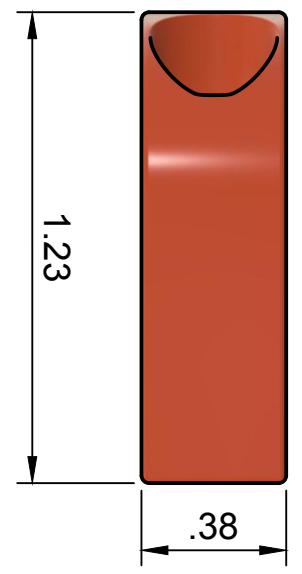
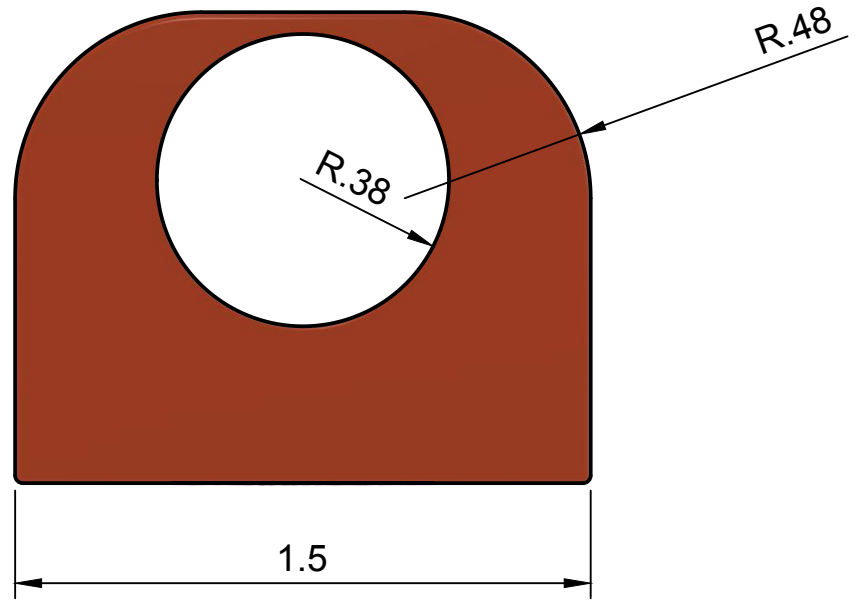


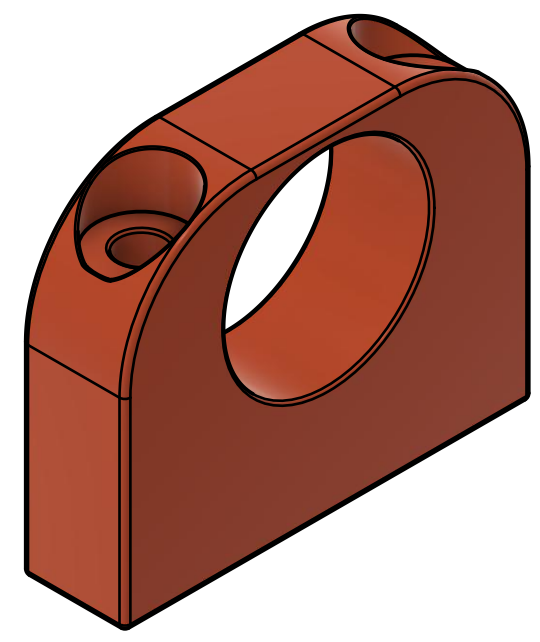
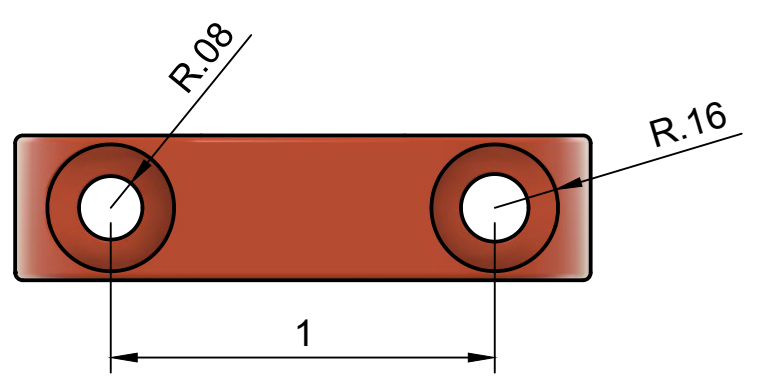
1 2 3 4 5 6 7 8

A



B

C



D

E

F

|                                |                     |  |                 |                     |
|--------------------------------|---------------------|--|-----------------|---------------------|
| Dept.                          | Technical reference | Created by<br><b>Diego Tornabene 1/10/18</b> | Approved by     |                     |
| All<br>measuemnts<br>in inches |                     | Document type                                | Document status |                     |
|                                |                     | Title<br><b>Reservoir Mount</b>              | DWG No.         |                     |
|                                |                     | Rev.   | Date of issue   | Sheet<br><b>1/1</b> |

1 2 3 4 5 6 7 8