

1 2 3 4 5 6 7 8

A

B

C

D

E

F

A

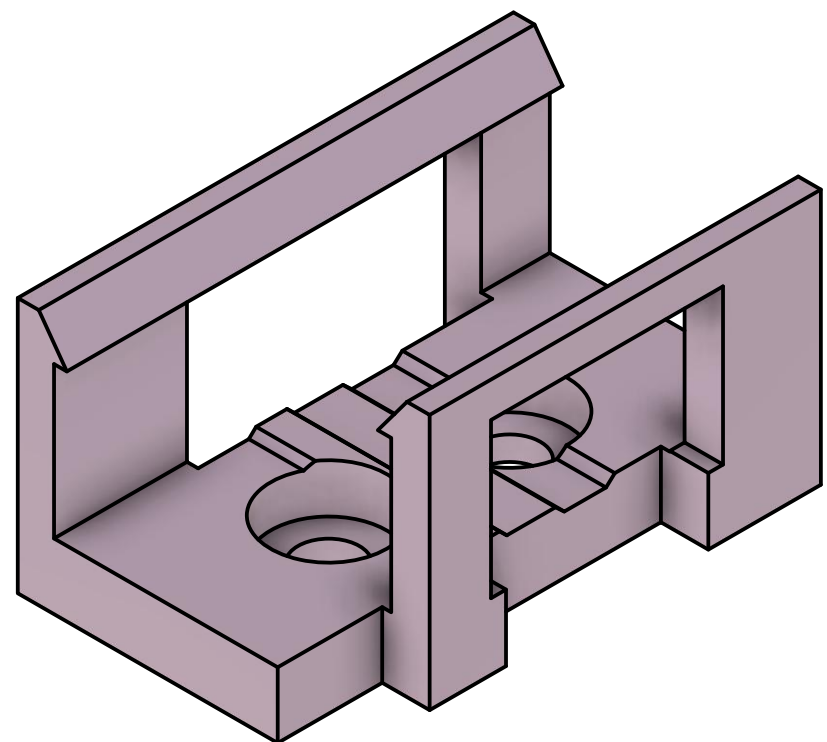
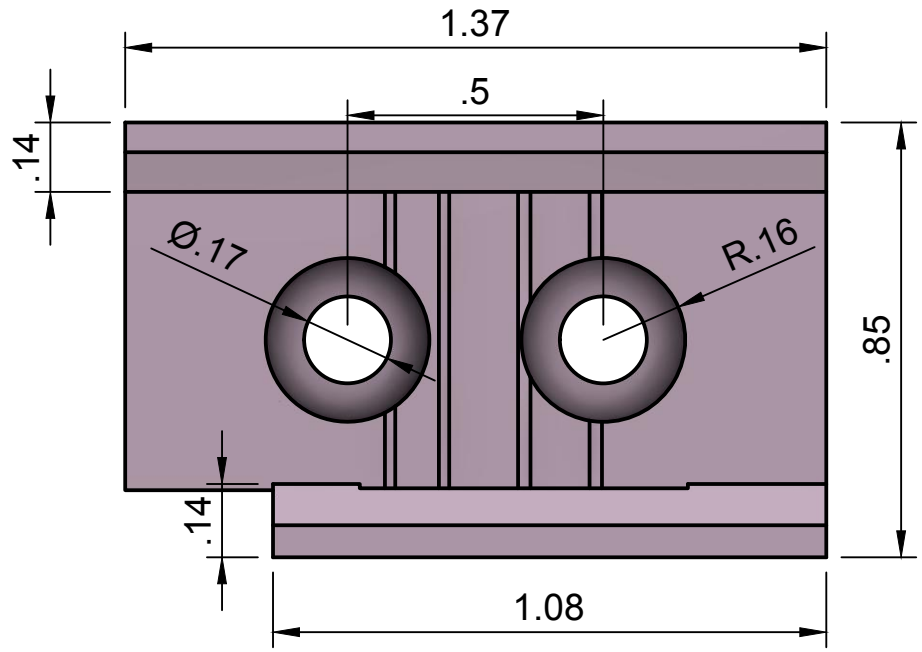
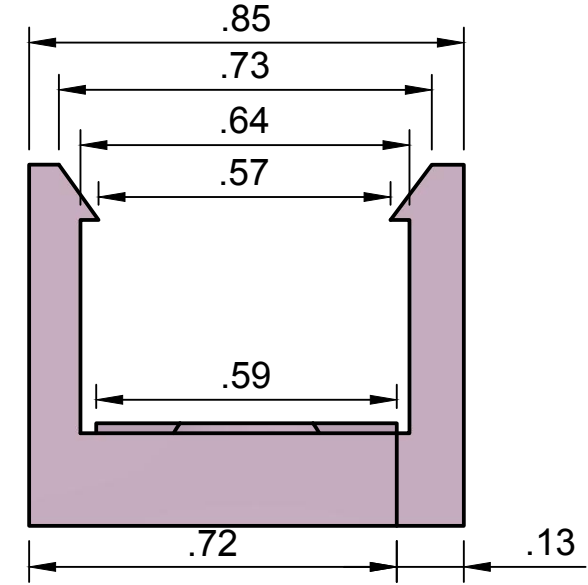
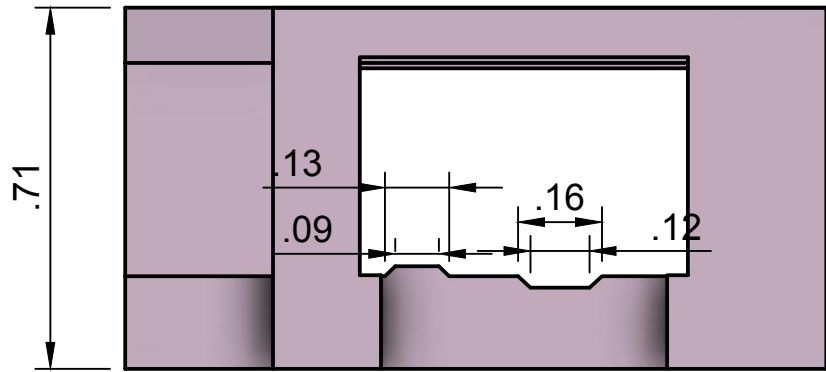
B

C

D

E

F



Dept.	Technical reference	Created by Diego Tornabene 1/10/18	Approved by
All measurments in inches		Document type	Document status
		Title Solenoid Mount	DWG No.
		Rev.	Date of issue
		Sheet 1/1	

1 2 3 4 5 6 7 8