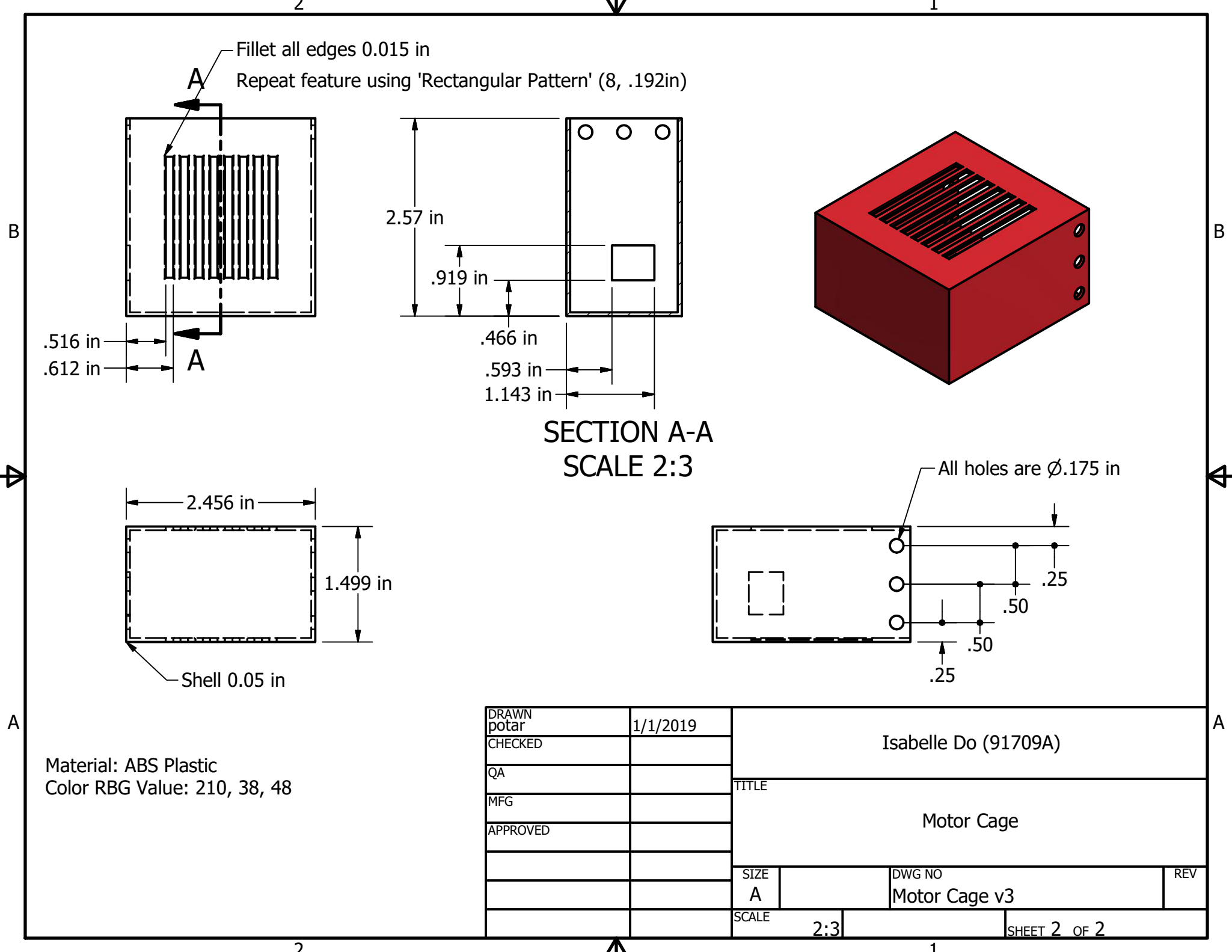
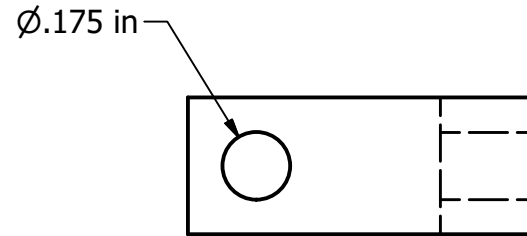
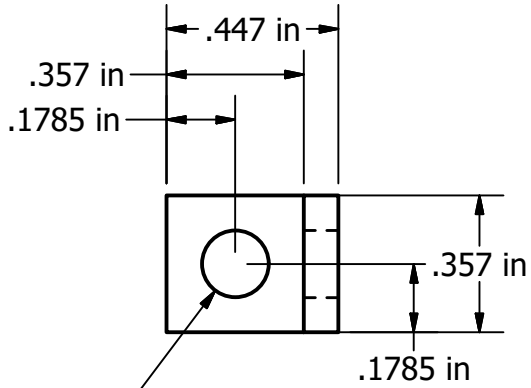
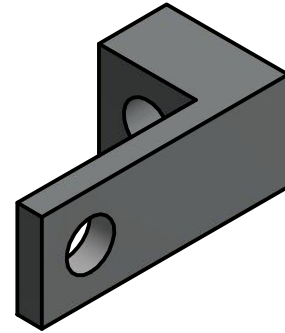
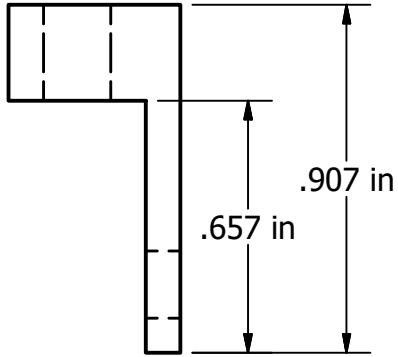


Material: Rubber

DRAWN potar	1/2/2019	Isabelle Do (91709A)		
CHECKED		TITLE		
QA		Anti-Static		
MFG				
APPROVED				
		SIZE	DWG NO	REV
		A	Anti-Static	
		SCALE	SHEET 2 OF 2	
		1 : 1		

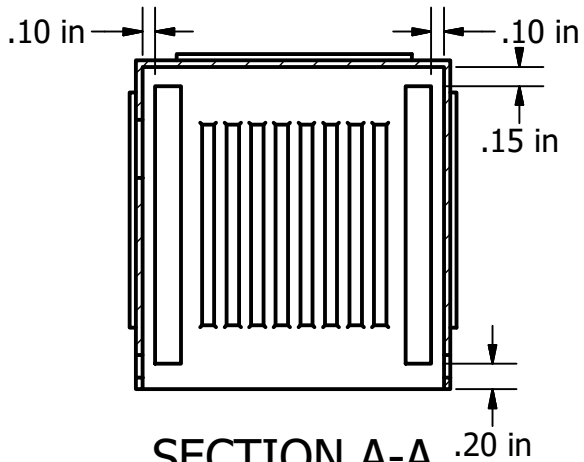
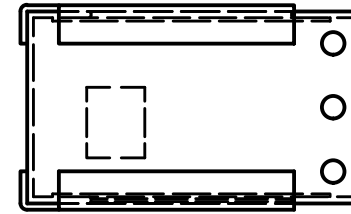
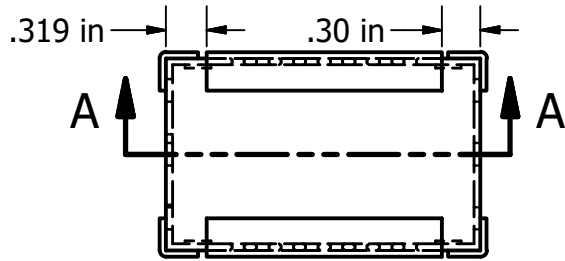
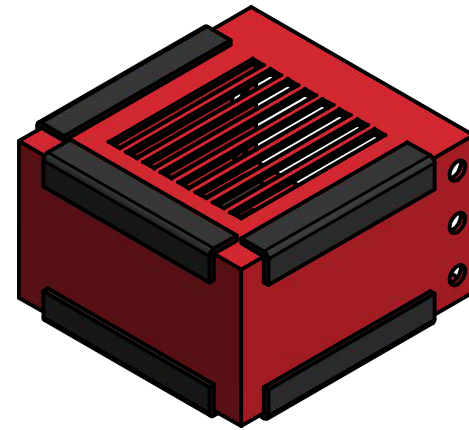
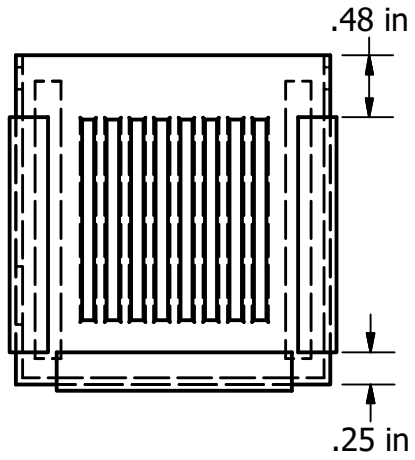




Material: ABS Plastic

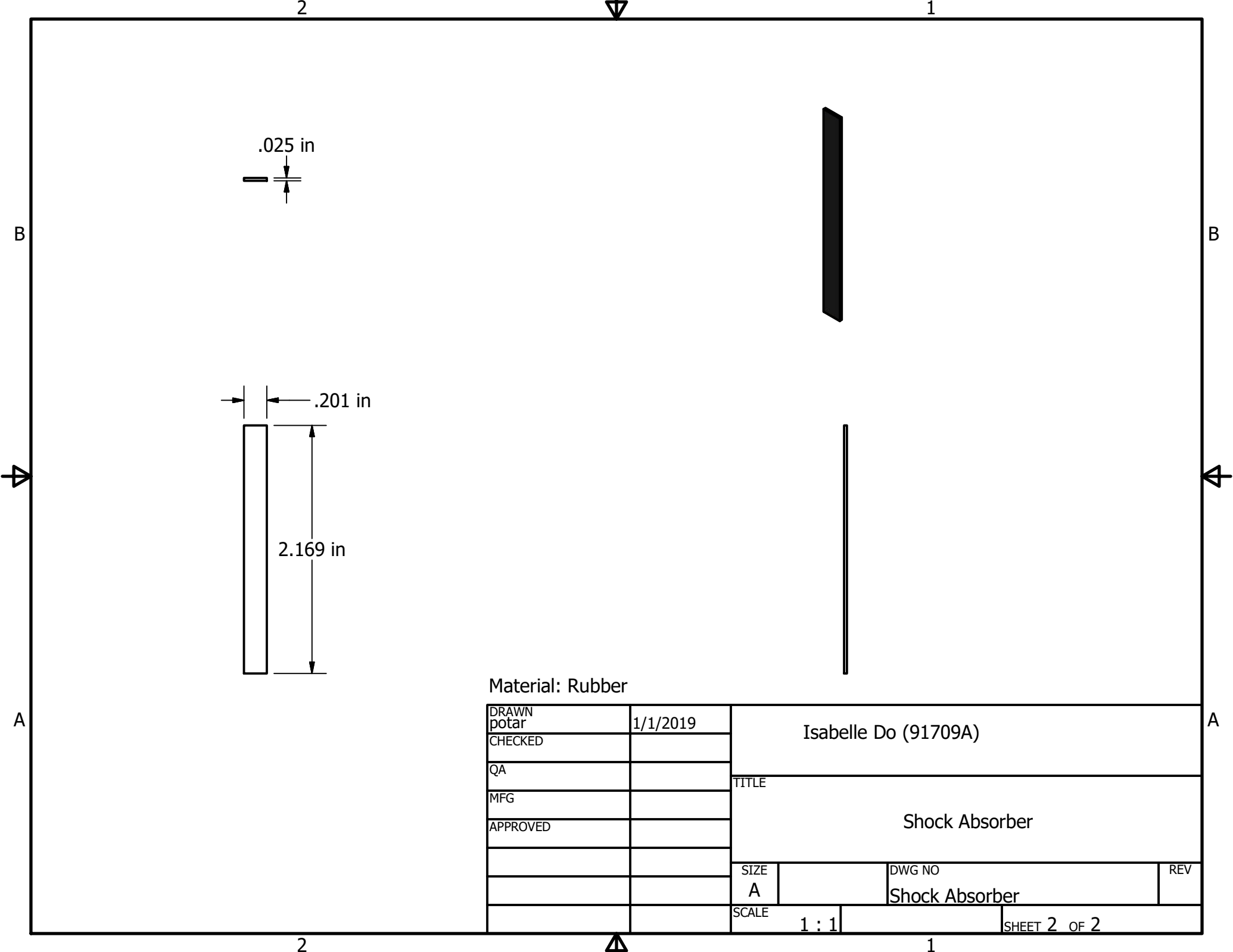
Color RGB Value: 137, 141, 141

DRAWN potar	1/1/2019	Isabelle Do (91709A)		
CHECKED		TITLE		
QA		Mounting Flange		
MFG		SIZE	DWG NO	REV
APPROVED		A	Mounting Flange	
		SCALE	SHEET 2 OF 2	
		2 : 1		



SECTION A-A
SCALE 2:3

DRAWN potar	1/2/2019	Isabelle Do (91709A)		
CHECKED		TITLE		
QA		Placement of Anti-Static and Shock Absorbers on Motor Cage		
MFG		SIZE	DWG NO	REV
APPROVED		A	Placement of Anti-Static and Shock Absorb	
		SCALE	2:3	SHEET 2 OF 2



Material: Rubber

DRAWN potar	1/1/2019	Isabelle Do (91709A)		
CHECKED		TITLE Shock Absorber		
QA				
MFG				
APPROVED				
		SIZE A	DWG NO Shock Absorber	REV
		SCALE 1 : 1	SHEET 2 OF 2	