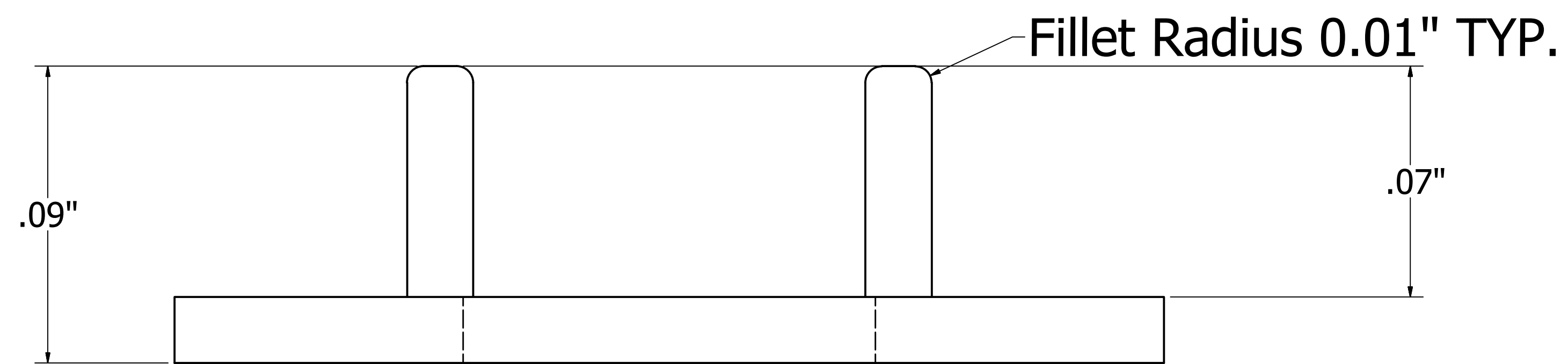
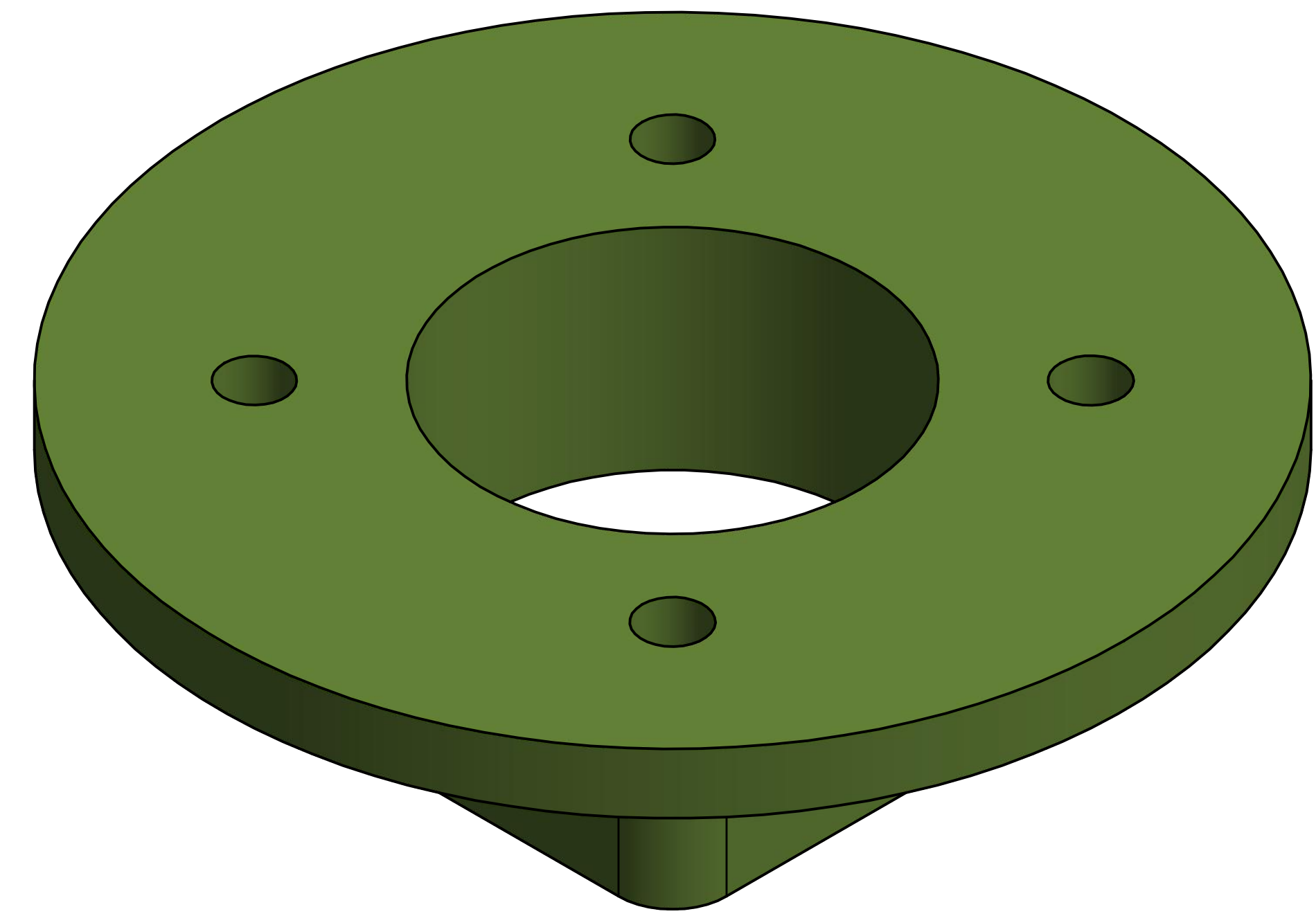
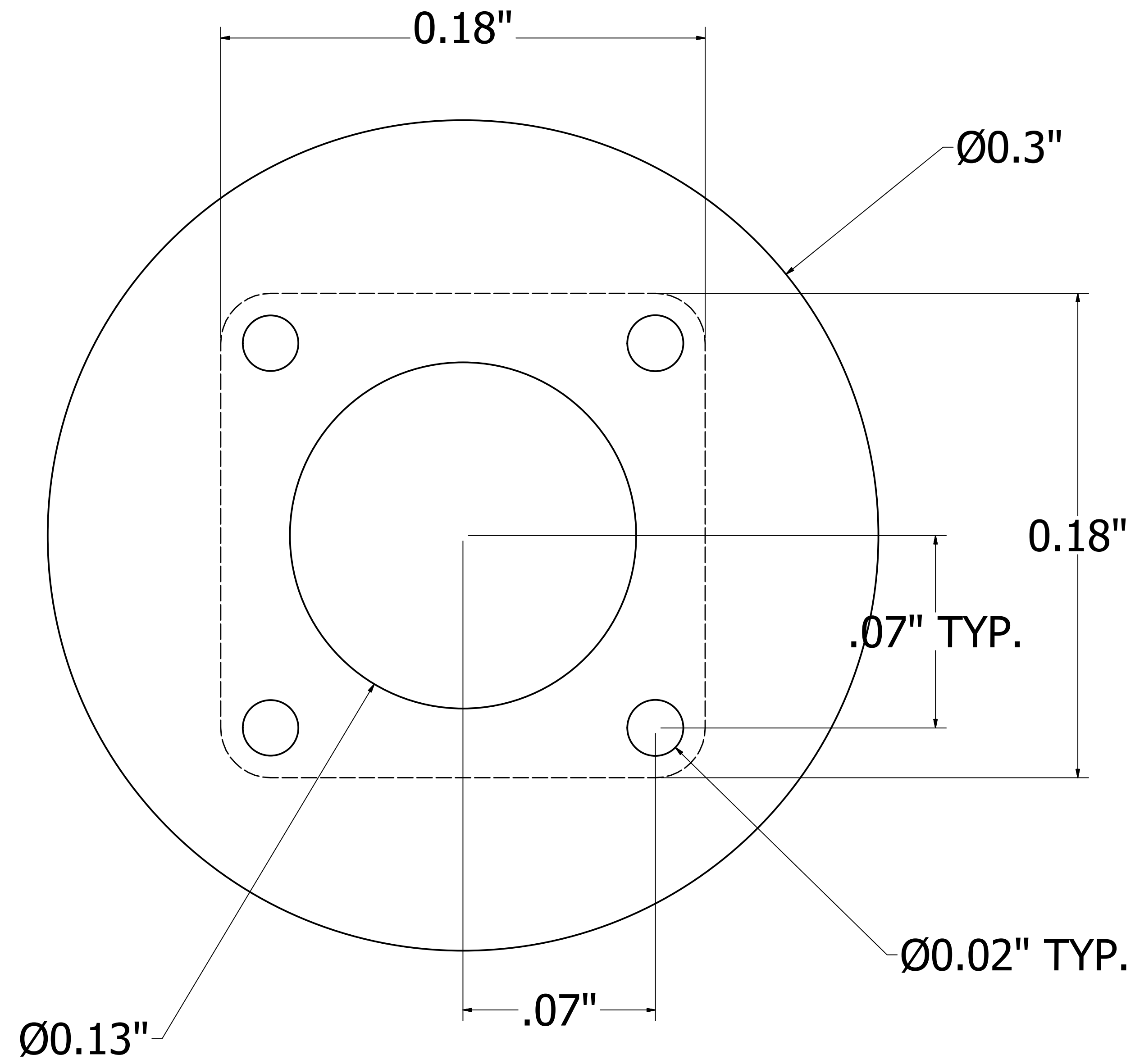


Metal Pin Piece
 (Helps to keep pins
 from breaking).



DRAWN Will Xu	1/15/2019		
CHECKED		TITLE	
QA			
MFG			
APPROVED			
		SIZE D	DWG NO CADChallengePins
		SCALE 32 : 1	REV
		SHEET 1 OF 2	



Plastic Body (Friction Reduction)

DRAWN Will Xu	1/15/2019		
CHECKED		TITLE	
QA			
MFG			
APPROVED			
		SIZE D	DWG NO CADChallengePins
		SCALE 32 : 1	REV
		SHEET 2 OF 2	