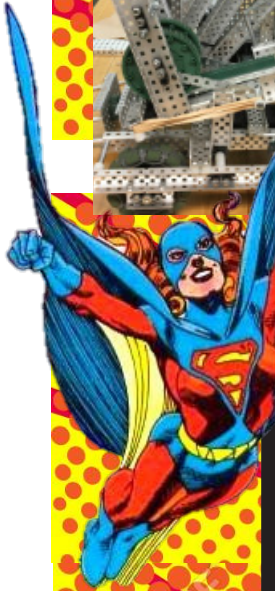
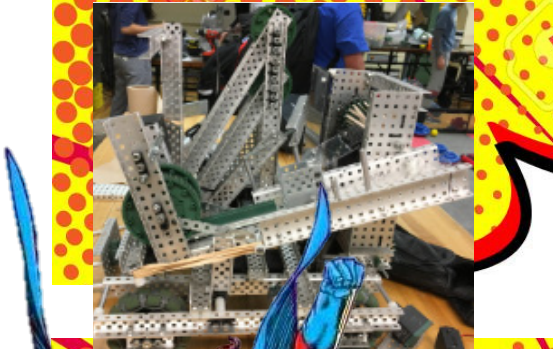
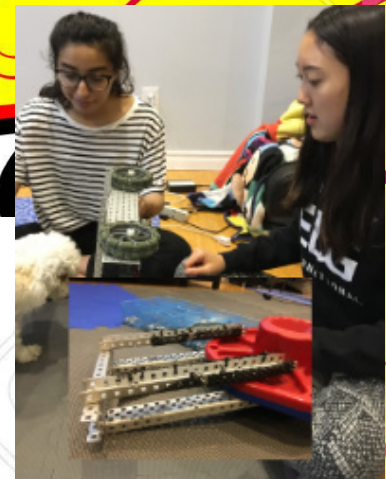
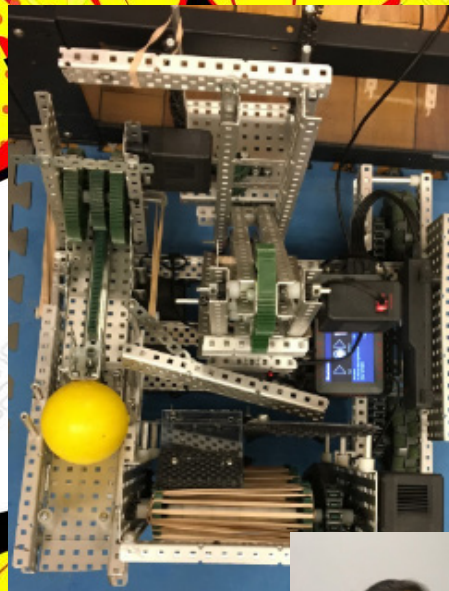
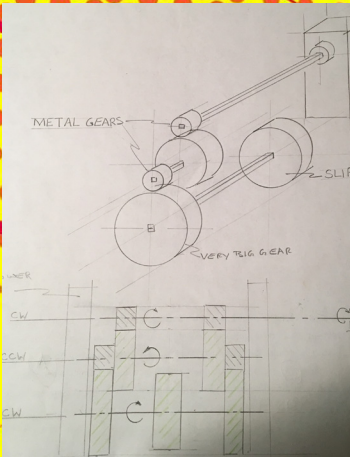


We all started from scratch together and with endless hours of build sessions, programming sessions and training, our first robot was complete. 200G's work table is differentiated from the competition by how organized and clean it always is.



Although we are a big team, our captains ensure that everyone has the chance to contribute. At the beginning of the season, we discussed our goals and decided on a build. We drew rough sketches and the team captains split us off into two groups; Crystal leading the construction of the drivetrain, lift, and cap intake, and Sylvia leading the construction of our ball intake and puncher.



We prototyped, came together, and determined how we were going to mount all our mechanisms together. By having a coordinated plan, our work sessions were efficient and we were able to finish and test the robot in time for the competition.

