

4

3

2

1

D

D

C

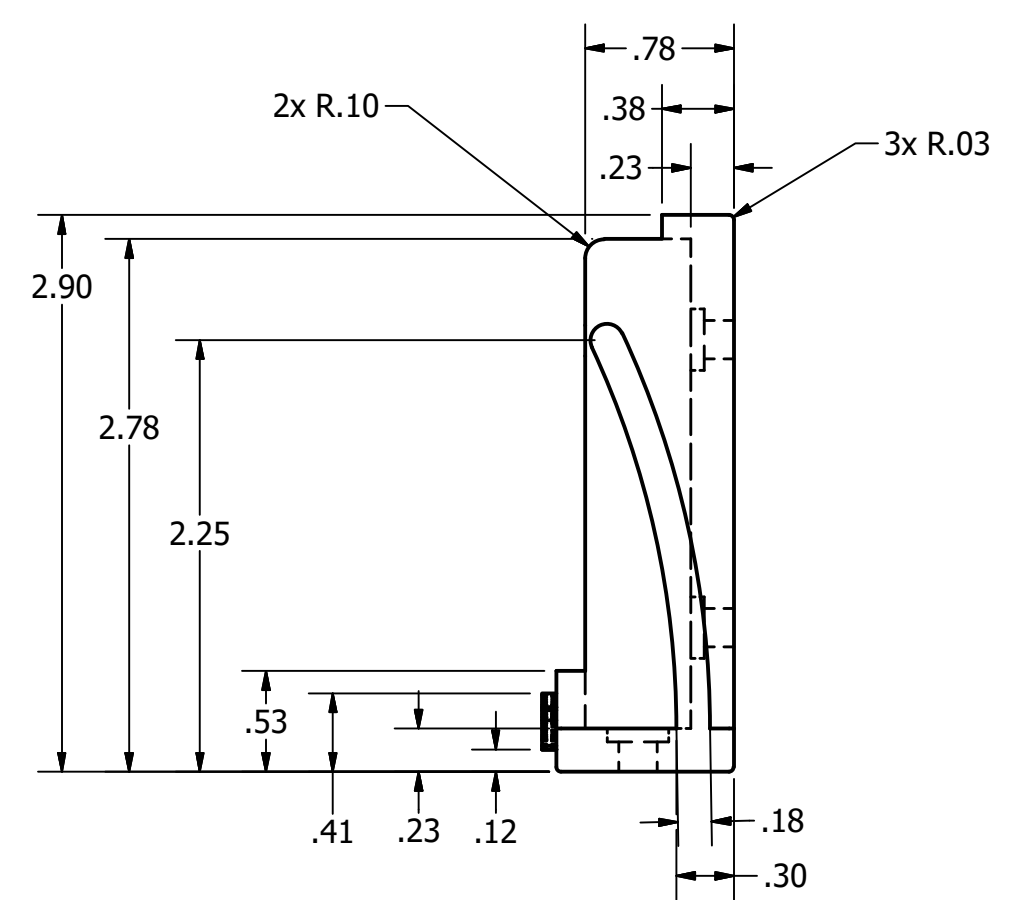
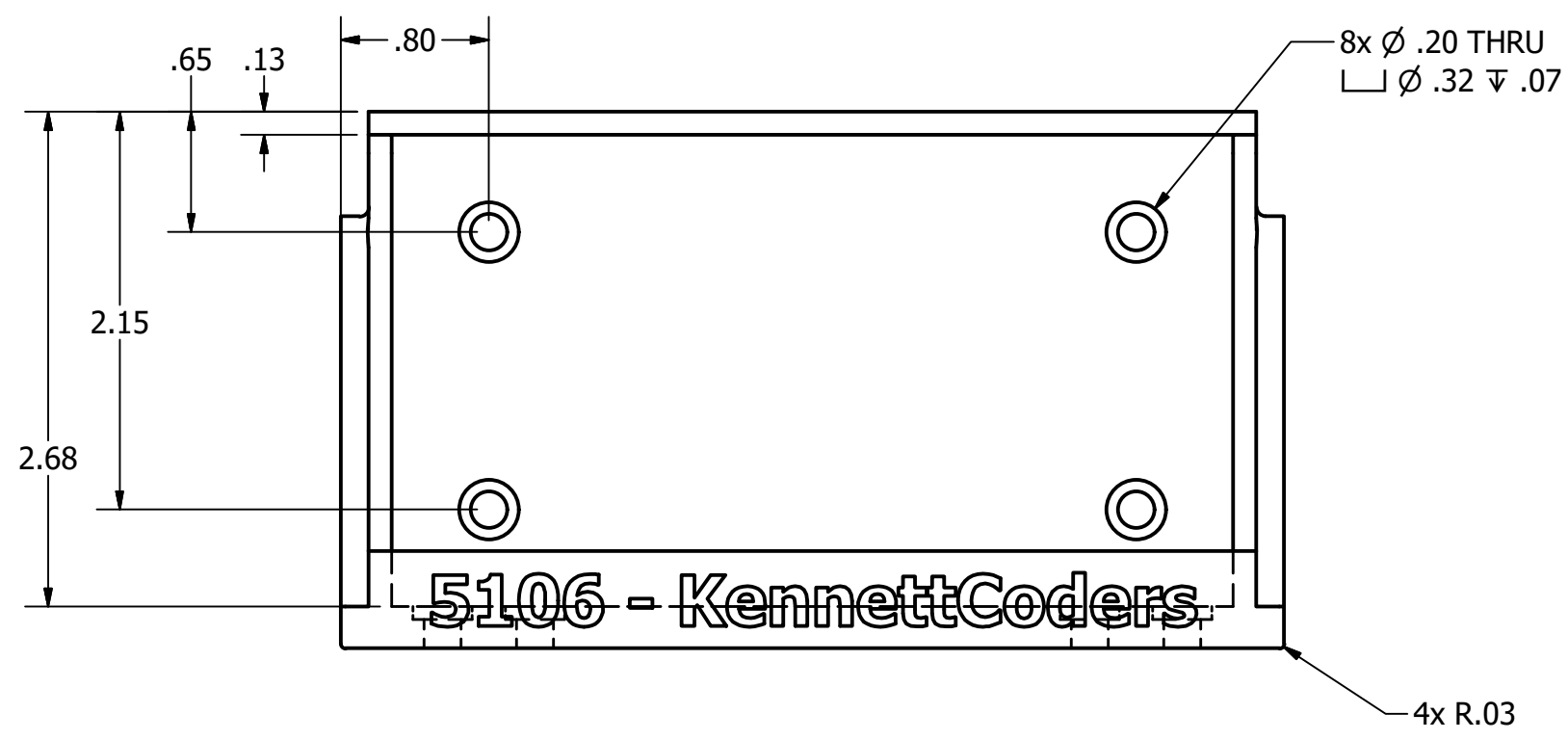
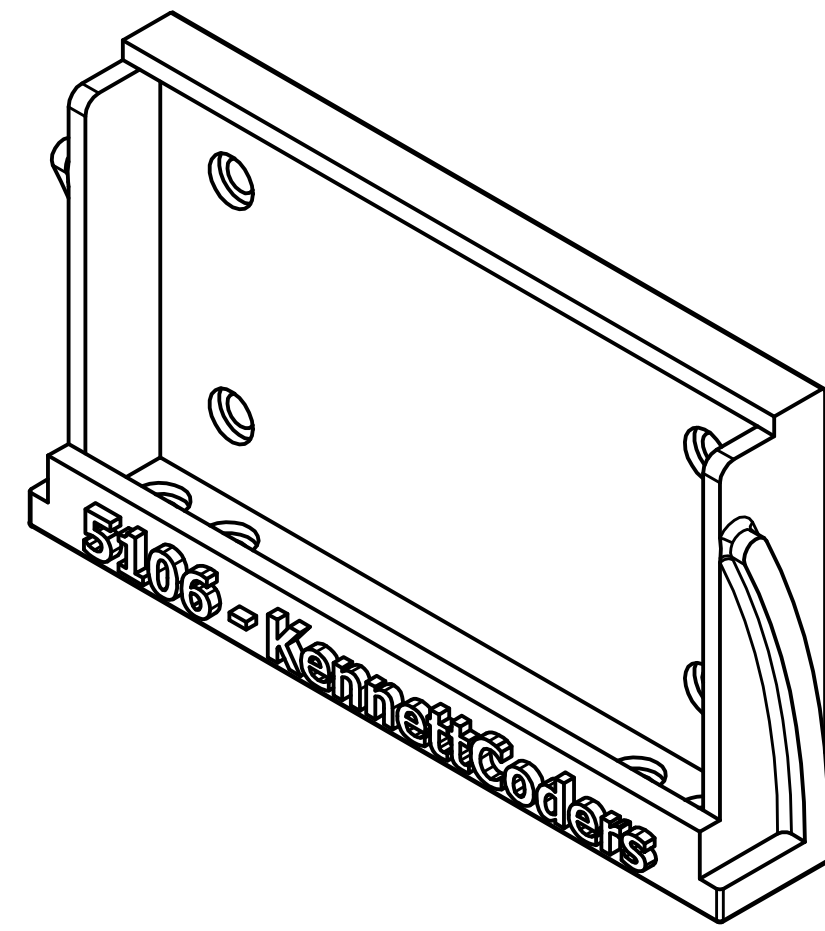
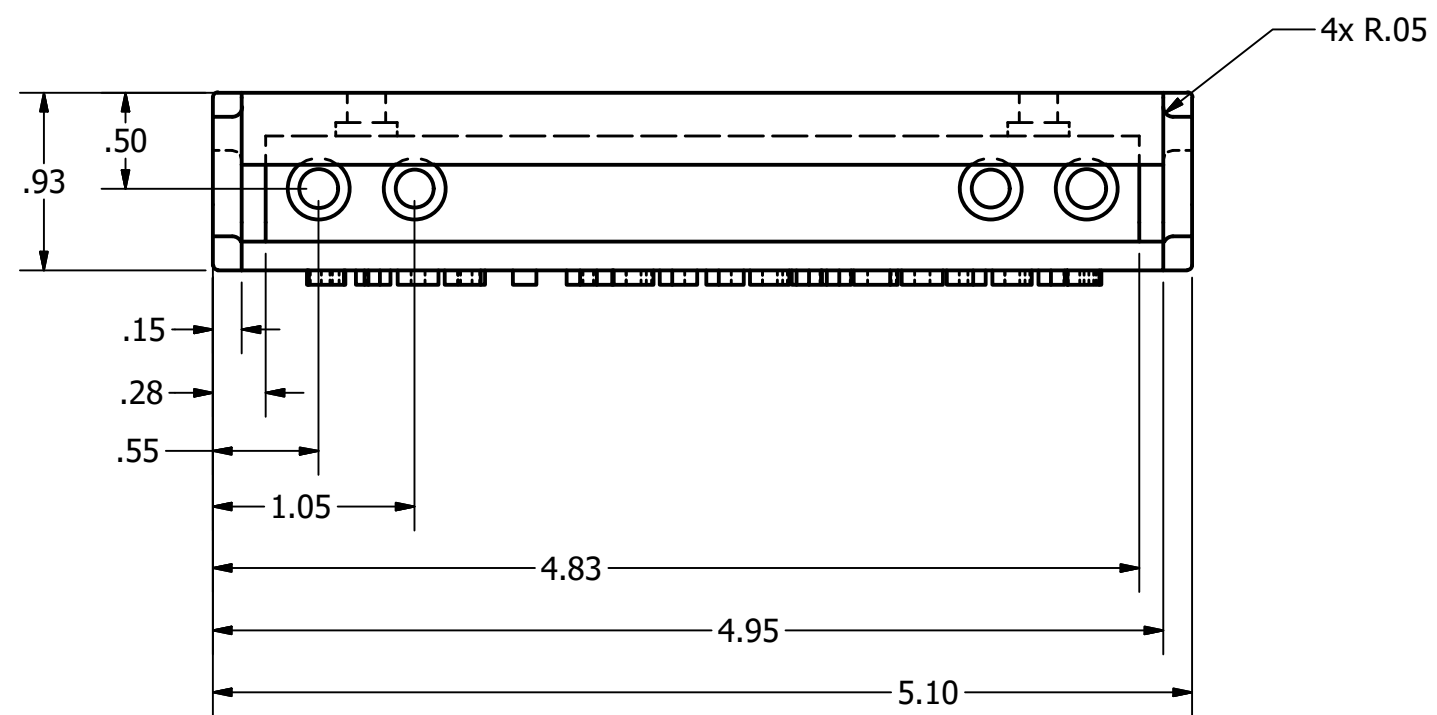
C

B

B

A

A



DRAWN Kate Keefe	10/1/2019	5106C		
CHECKED		TITLE		
QA		VEX Nameplate Holder Base		
MFG		SIZE C	DWG NO VexNameplateHolder	REV 1
APPROVED		SCALE 1 : 1	SHEET 1 OF 1	