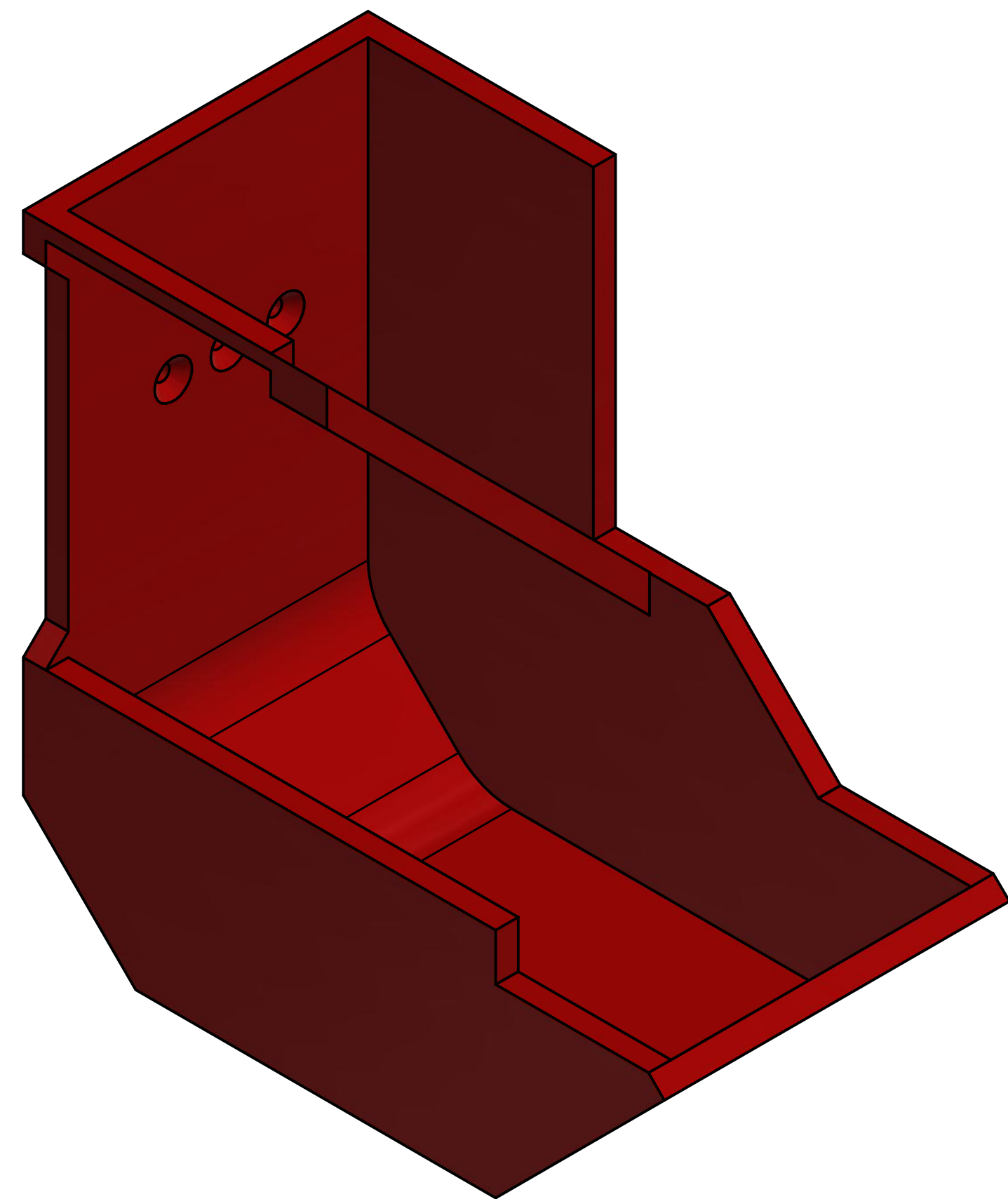


8 7 6 5 4 3 2 1

D

D



Mineral Dumper

This is my teams 'dumper' for minerals. This seperates out the gold and silver minerals. Because of the different sizes, we can easily use the much larger silver and the smaller gold, and put them in their respective place in the lander.

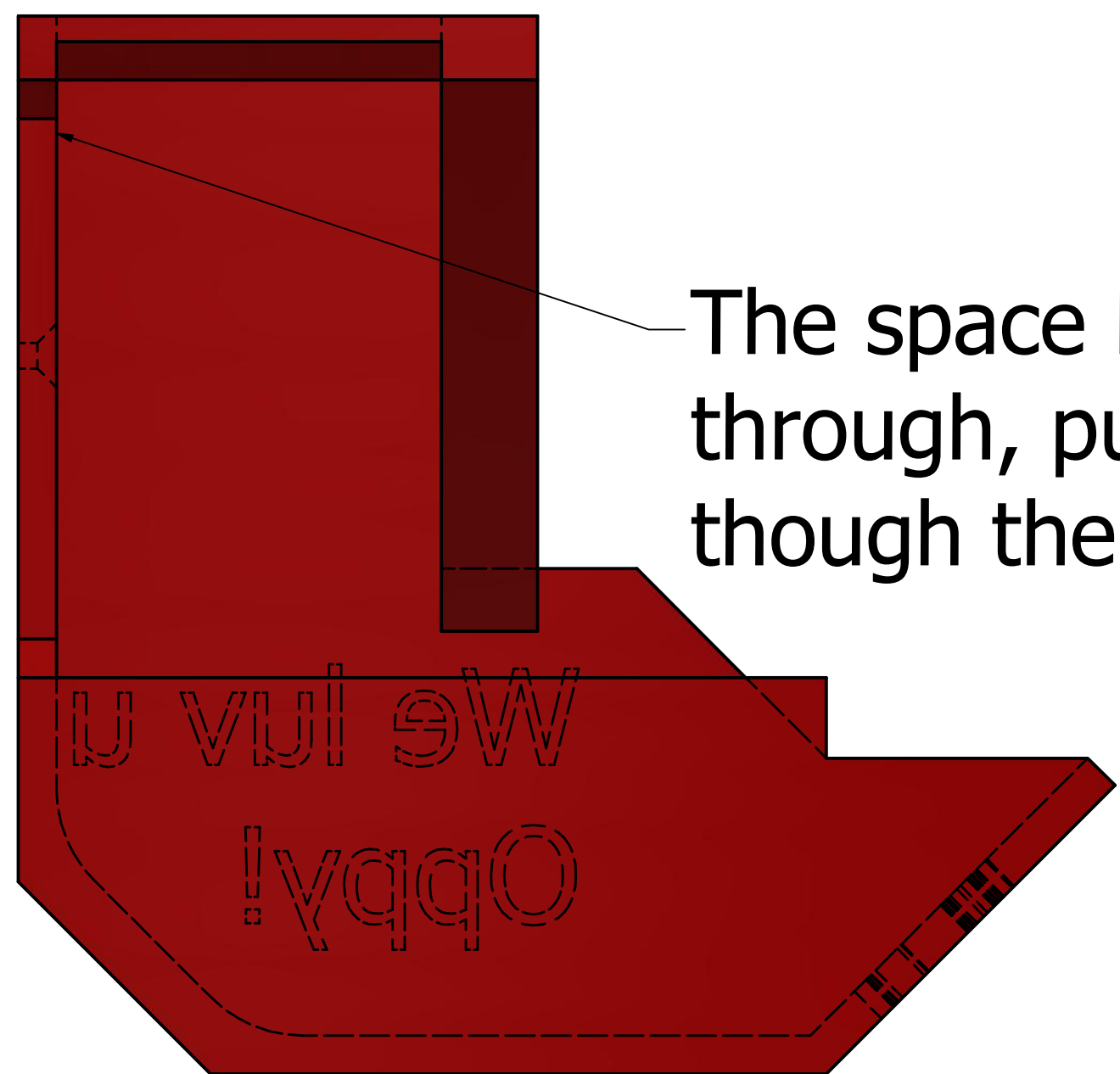
In every part of this design, the capabilities and limitations of 3d printing were taken into account. Designed without supports, steep overhangs etc.

C

C

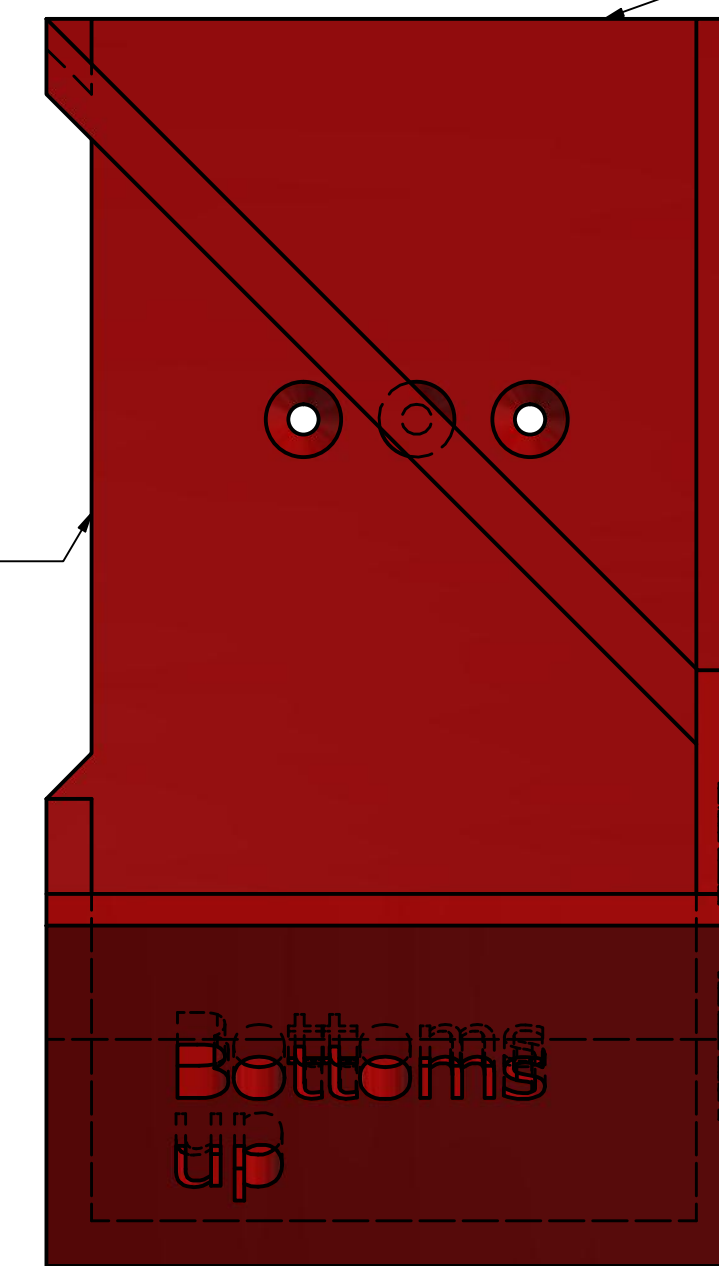
B

B



The space between here, is small enough to fit gold through, put small enough to have silver be forced though the gap provided for it.

Silver is forced through here.



Gold fits through here.

A

A

A

A

8 7 6 5 4 3 2 1

DRAWN	mason	3/8/2019			
CHECKED			TITLE		
QA					
MFG					
APPROVED					
			SIZE	DWG NO	REV
			D	BucketV2	
			SCALE	1 : 1	SHEET 1 OF 1