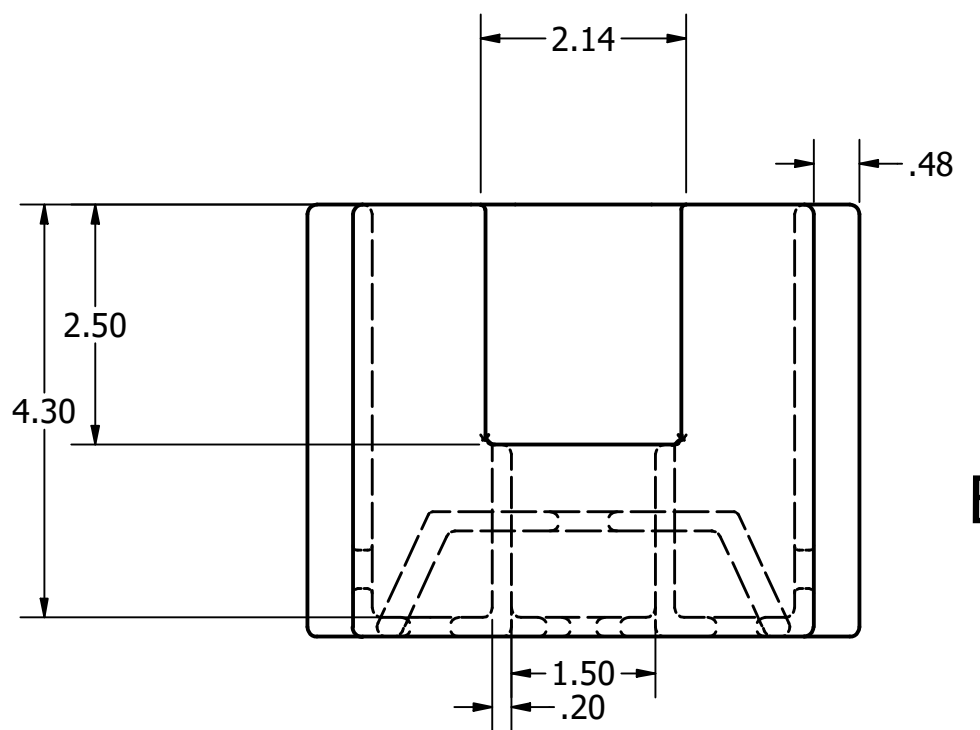
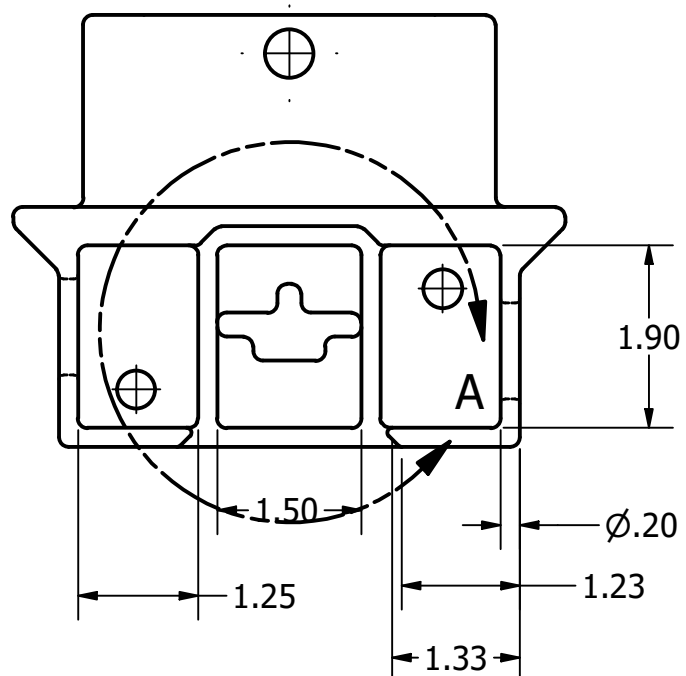
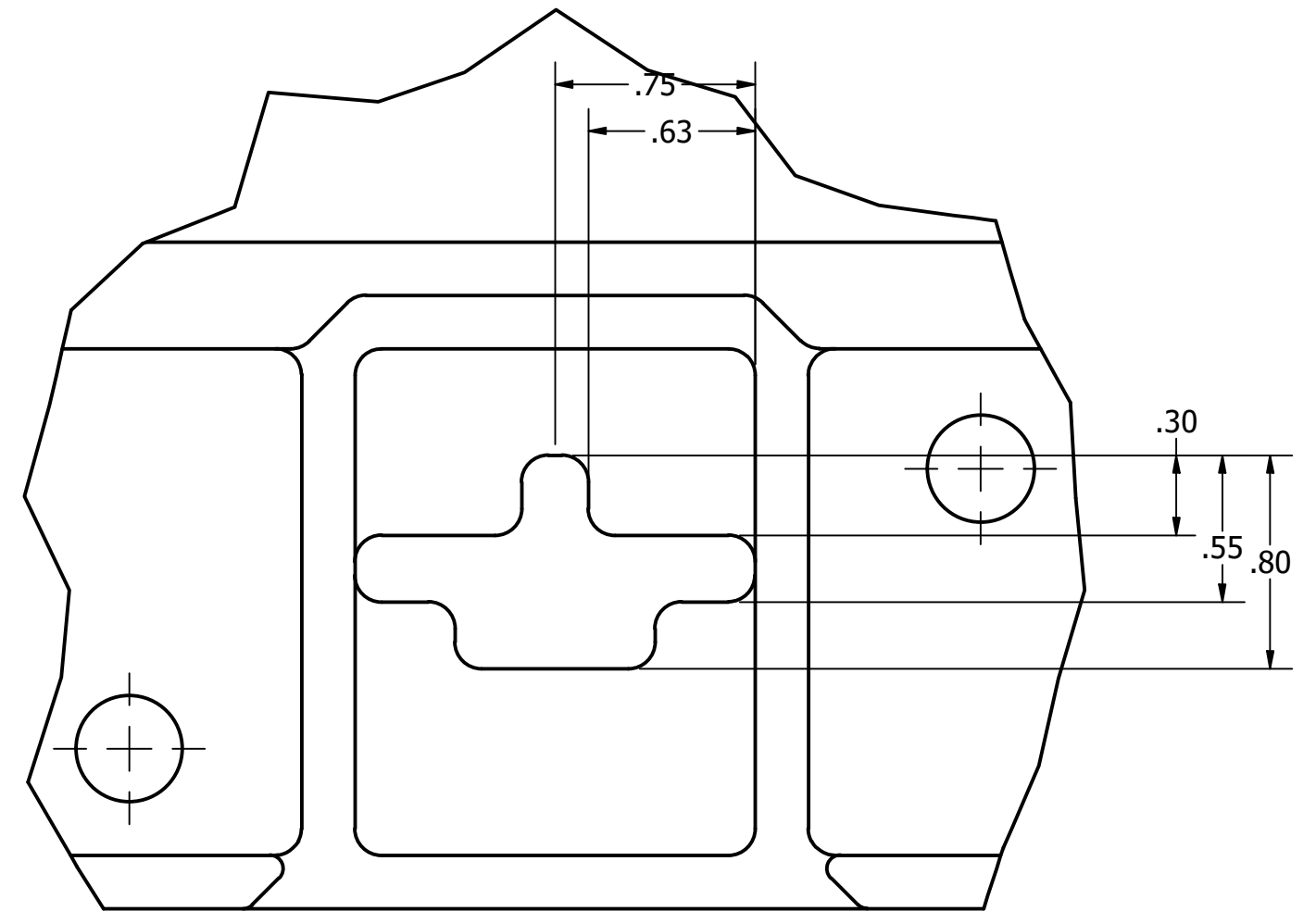


**BACK VIEW**



**BOTTOM VIEW**



**DETAIL A  
SCALE 1.5:1**

DRAWN	Jordan Cantu	12/4/2020	TITLE		
CHECKED	Ryan Stokes	12/6/2020			
QA	PASSED	12/7/2020	Charging Station Drawing		
MFG	Jeff Lynass	12/7/2020			
APPROVED	Will Fredin	12/7/2020	SIZE	DWG NO	REV
			B	Charging Station	V1.2
			SCALE	SHEET 2 OF 2	
			1 : 2		