

DRAWN	Yasada De Silva	11/25/2020	TITLE		
CHECKED			Trapped Roller Clutch		
QA			SIZE	DWG NO	REV
MFG			D		
APPROVED			SCALE 8 : 1		
			SHEET 1 OF 5		

8 7 6 5 4 3 2 1

D

D

C

C

B

B

A

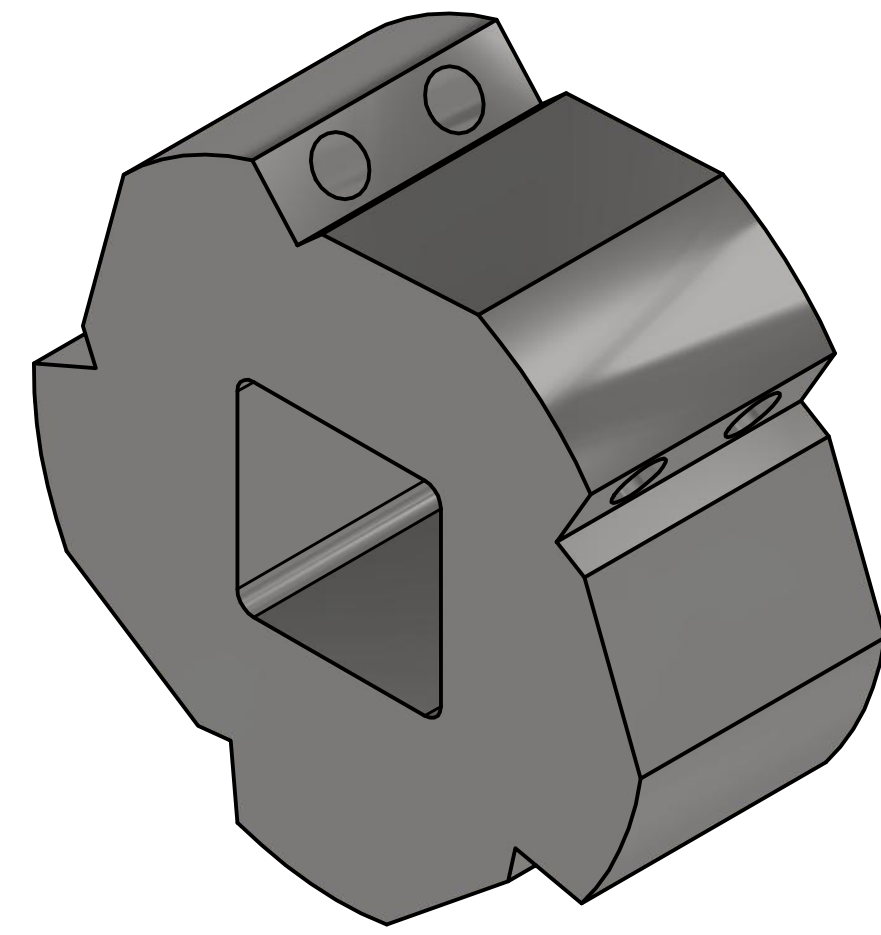
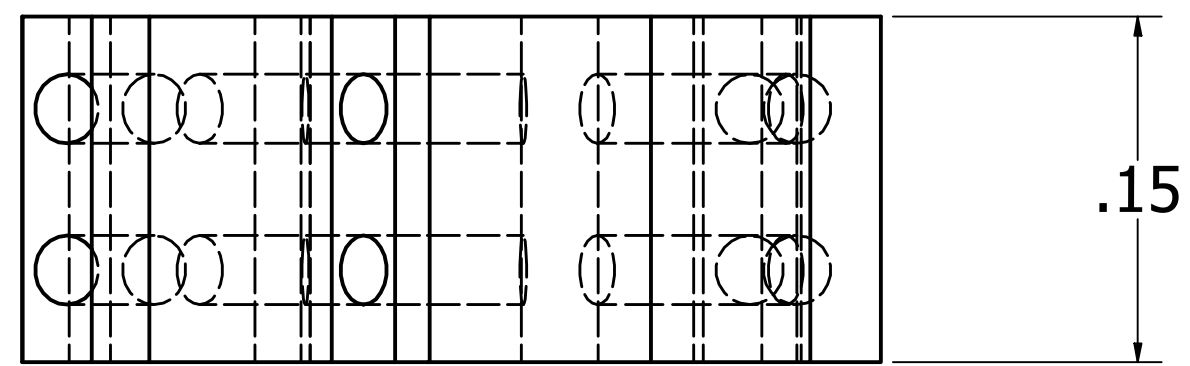
A

8 7 6 5 4 4 3 2 1

8 7 6 5 4 3 2 1

D

D

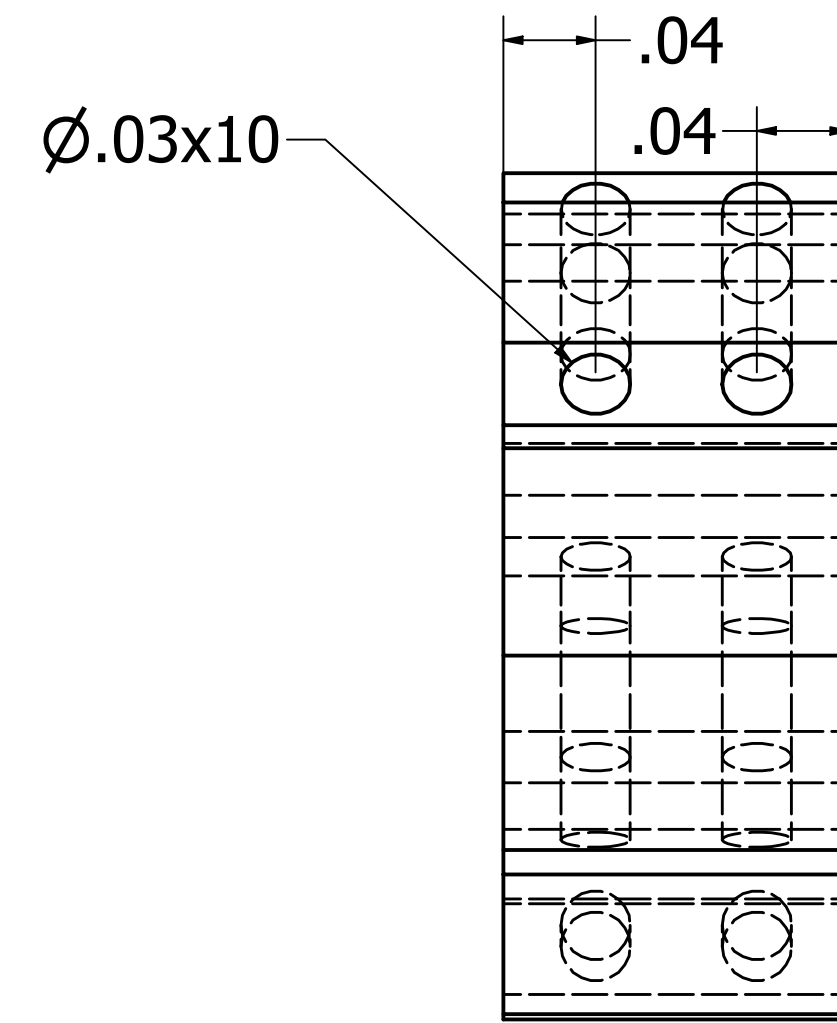
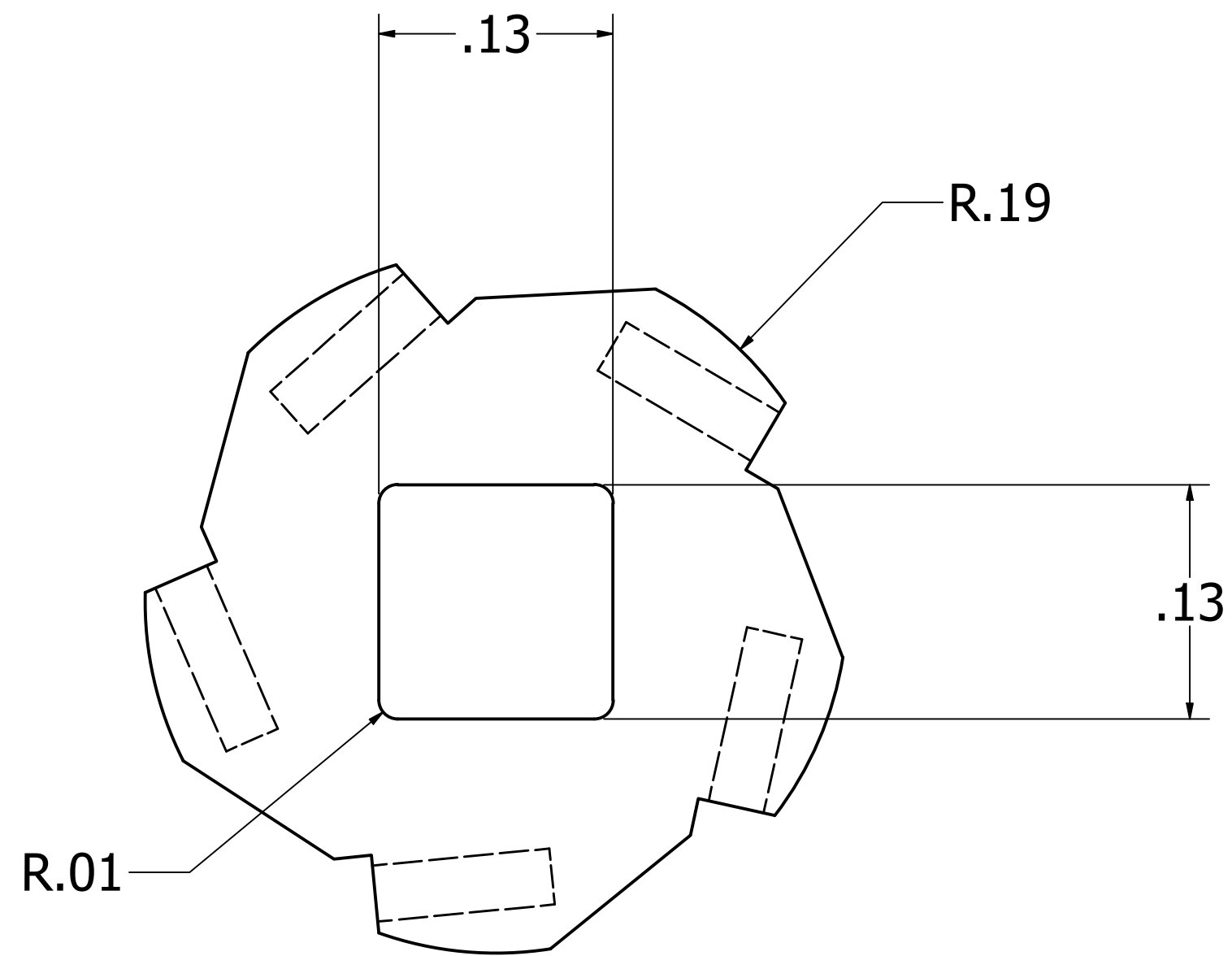


C

C

B

B



B

B

A

A

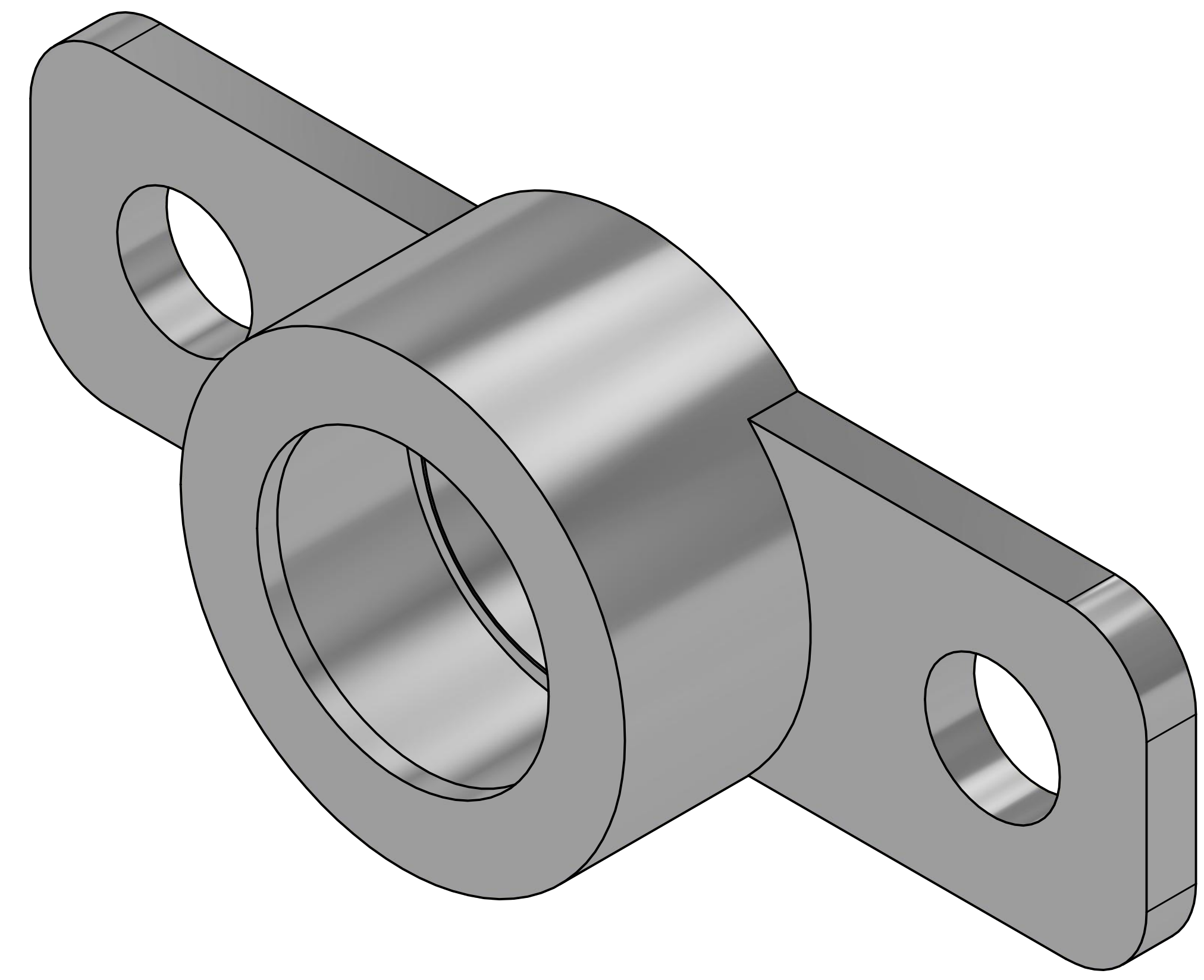
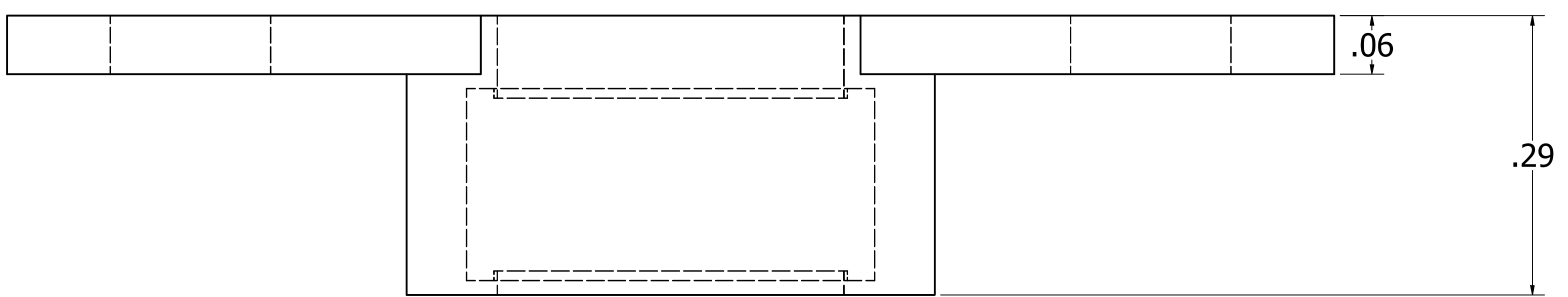
8 7 6 5 4 4 3 2 1

DRAWN Yasada De Silva	11/25/2020	TITLE		
CHECKED		Trapped Roller Clutch		
QA		SIZE D	DWG NO	REV
MFG		SCALE 12 : 1		
APPROVED		SHEET 2 OF 5		

8 7 6 5 4 3 2 1

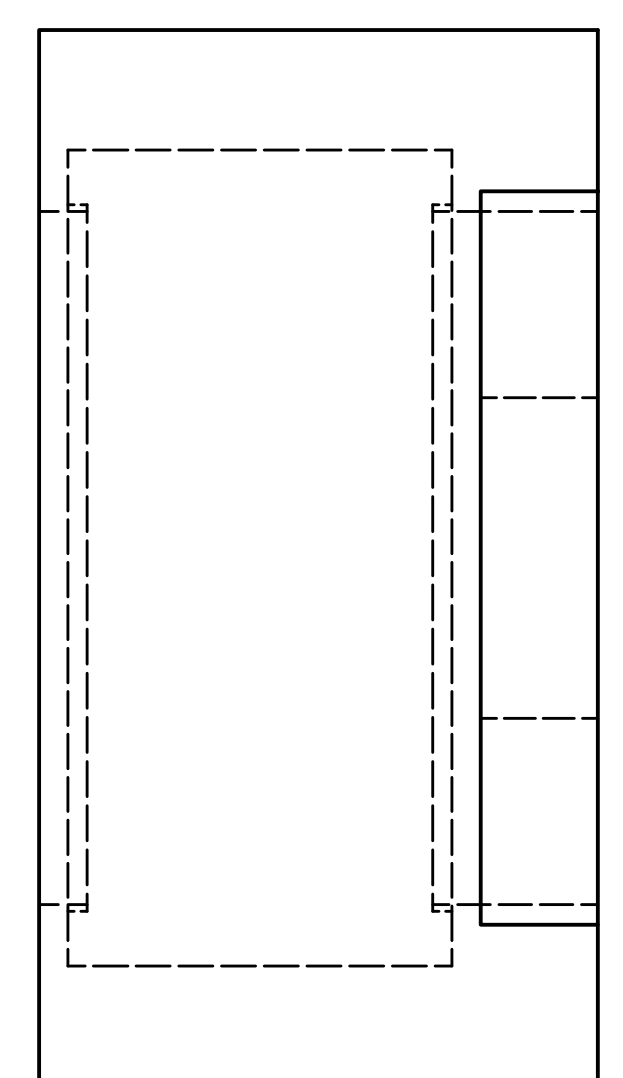
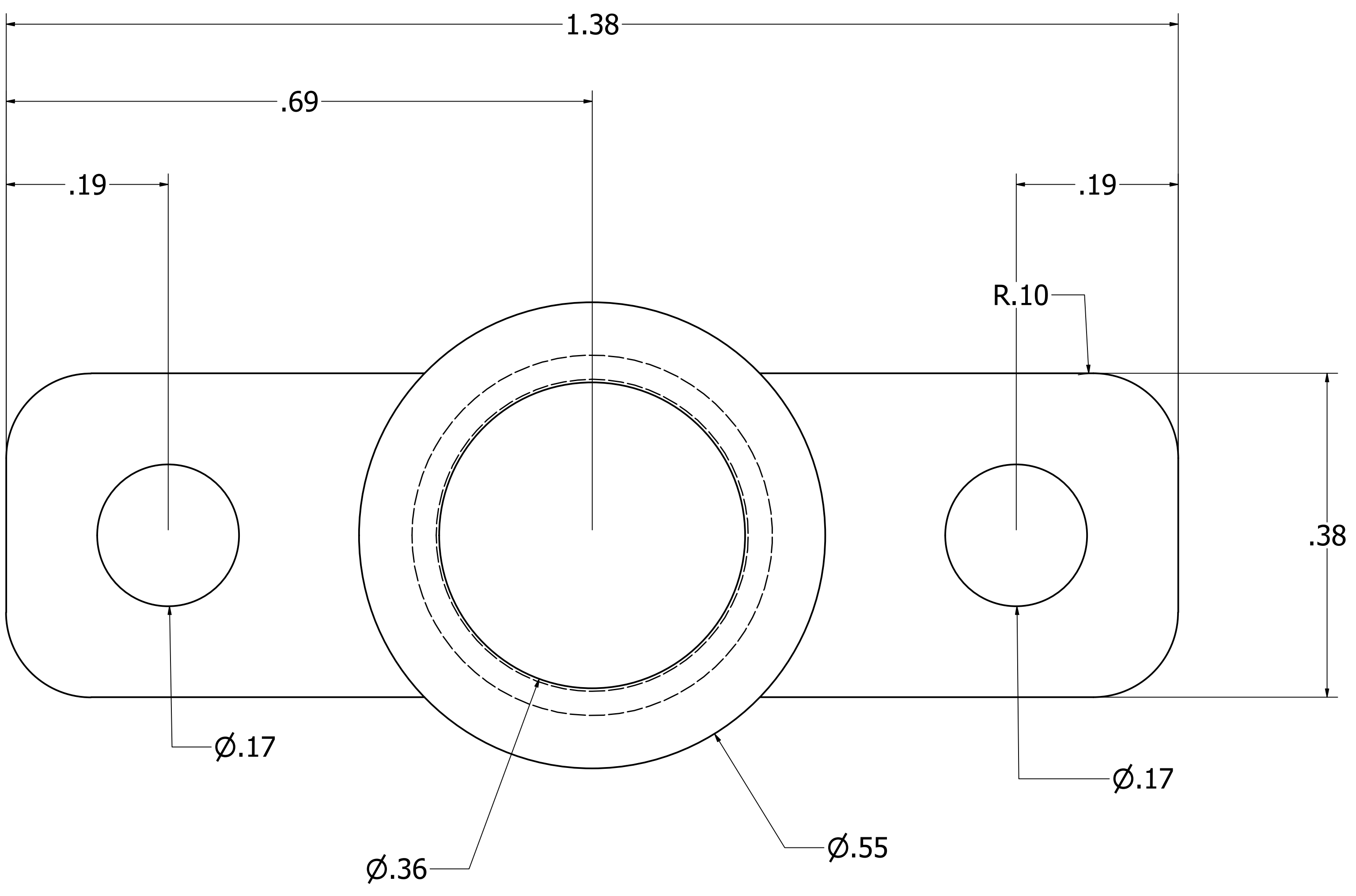
D

D



C

C



B

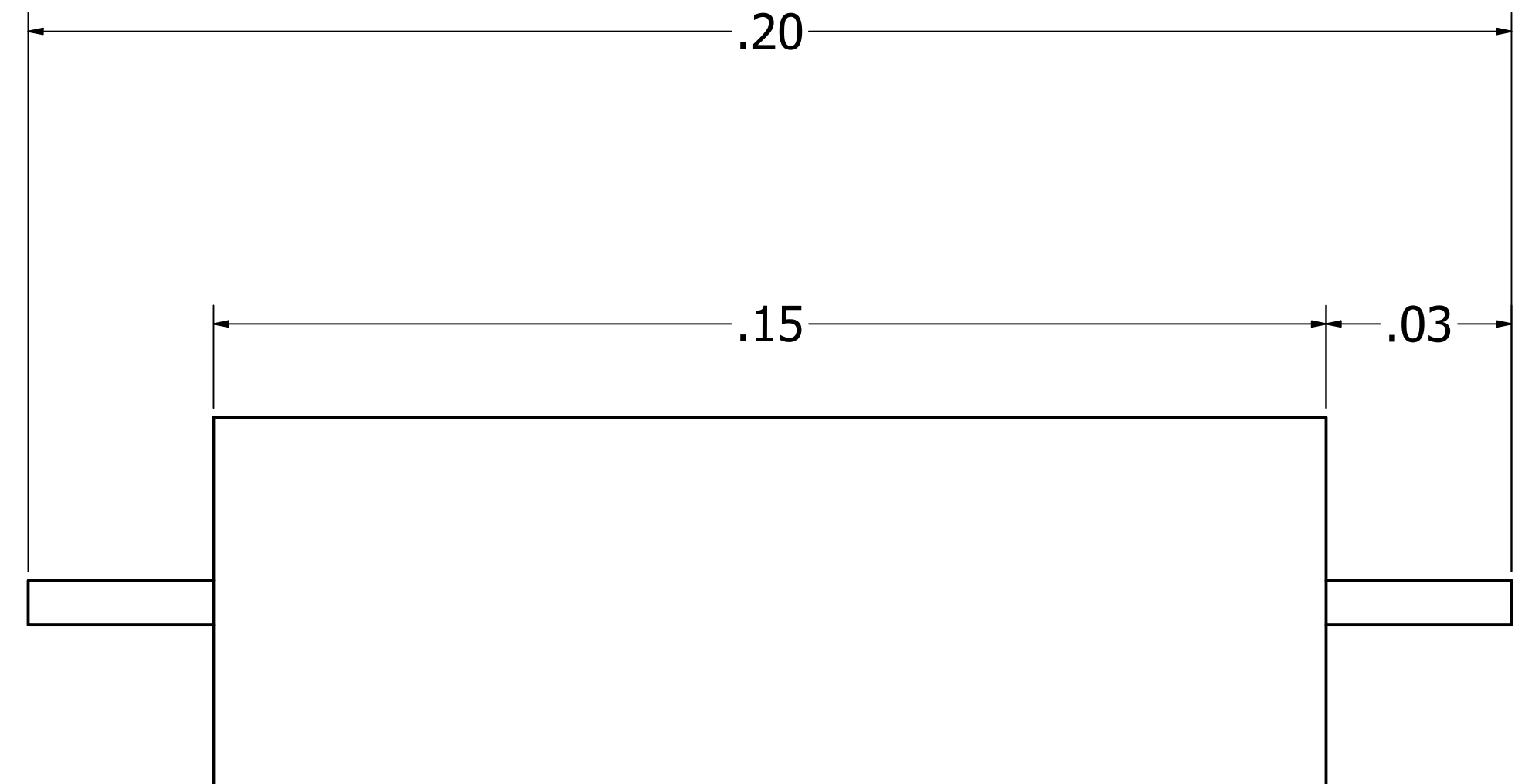
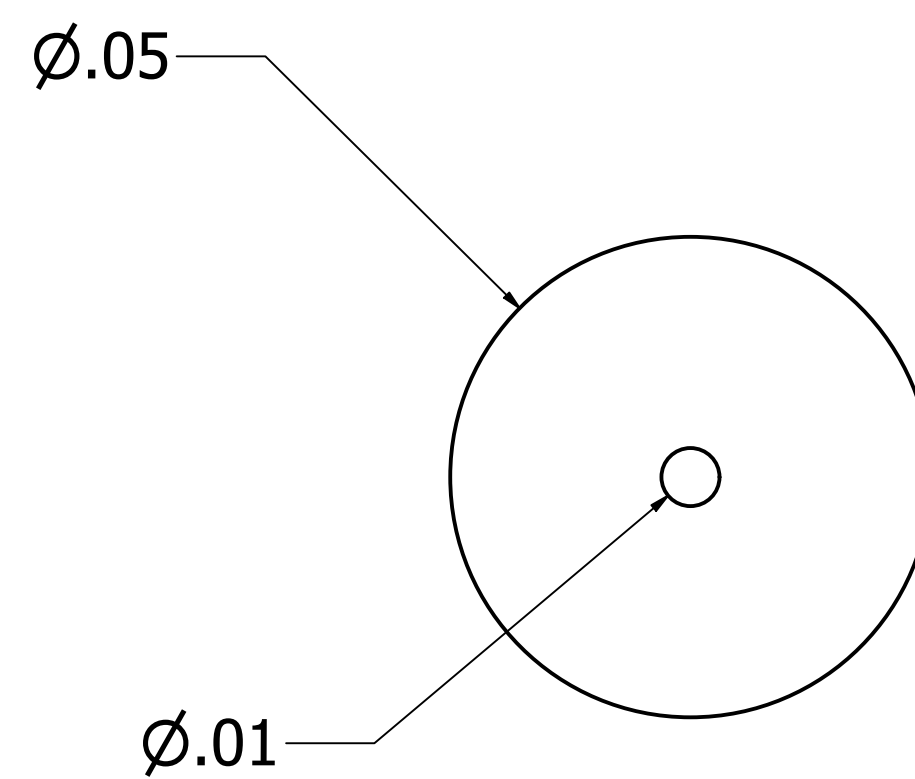
B

A

A

DRAWN	Yasada De Silva	11/25/2020	TITLE		
CHECKED			Trapped Roller Clutch		
QA			SIZE	DWG NO	REV
MFG			D		
APPROVED			SCALE	10 : 1	SHEET 3 OF 5

8 7 6 5 4 3 2 1

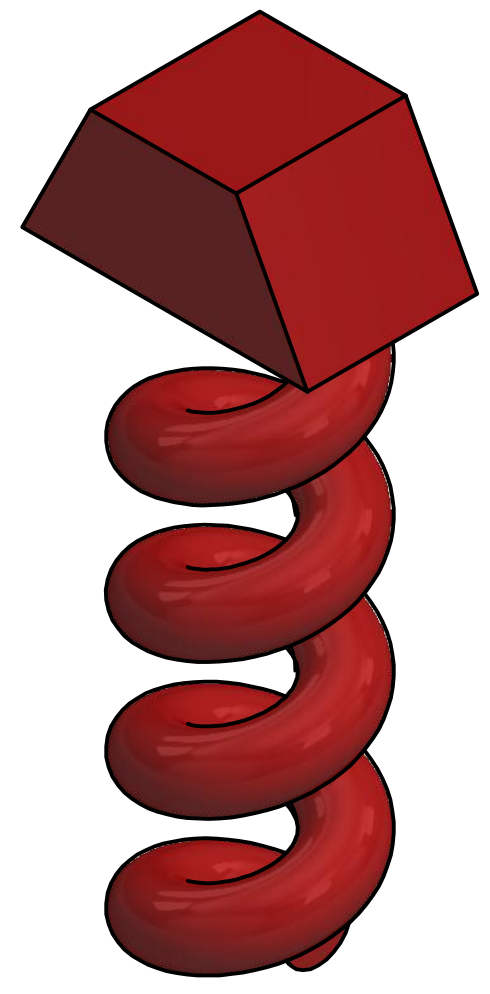
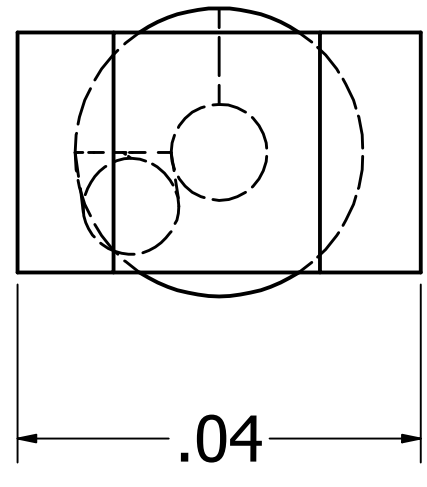


DRAWN	Yasada De Silva	11/25/2020	TITLE		
CHECKED			Trapped Roller Clutch		
QA			SIZE	DWG NO	REV
MFG			D		
APPROVED			50 : 1		
			SHEET 4 OF 5		

8 7 6 5 4 3 2 1

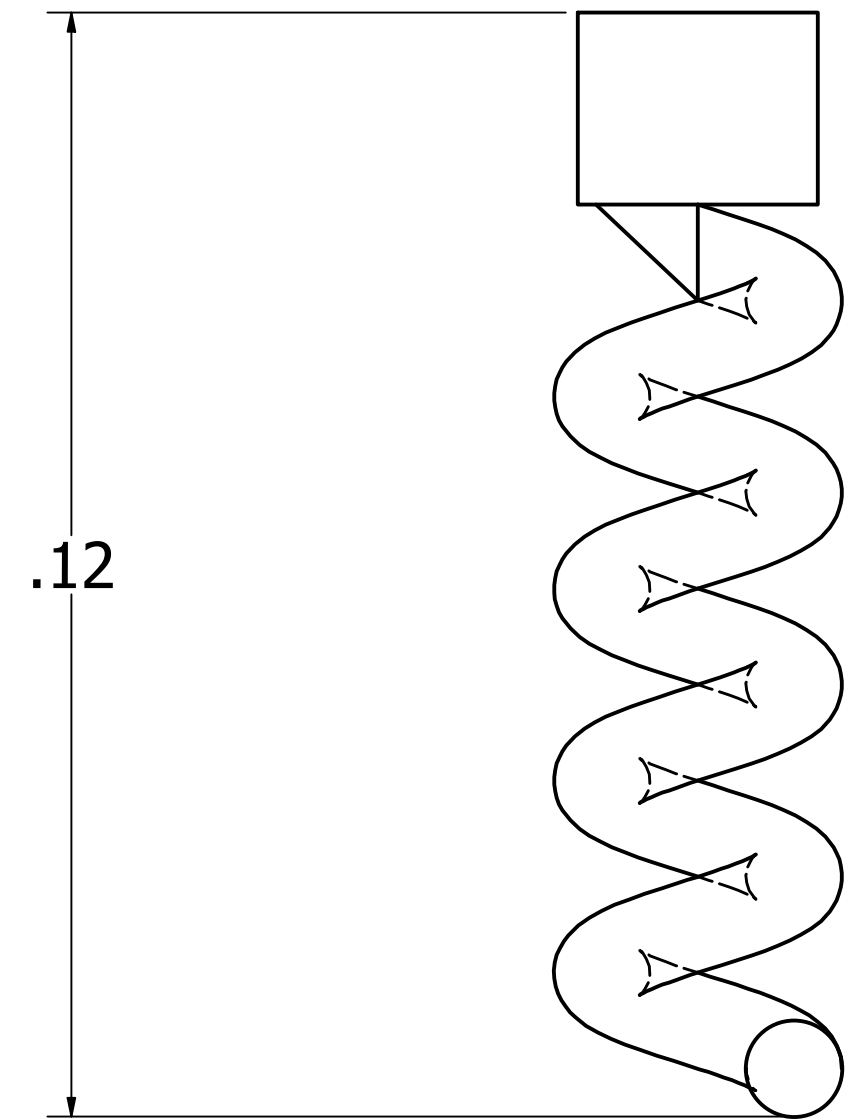
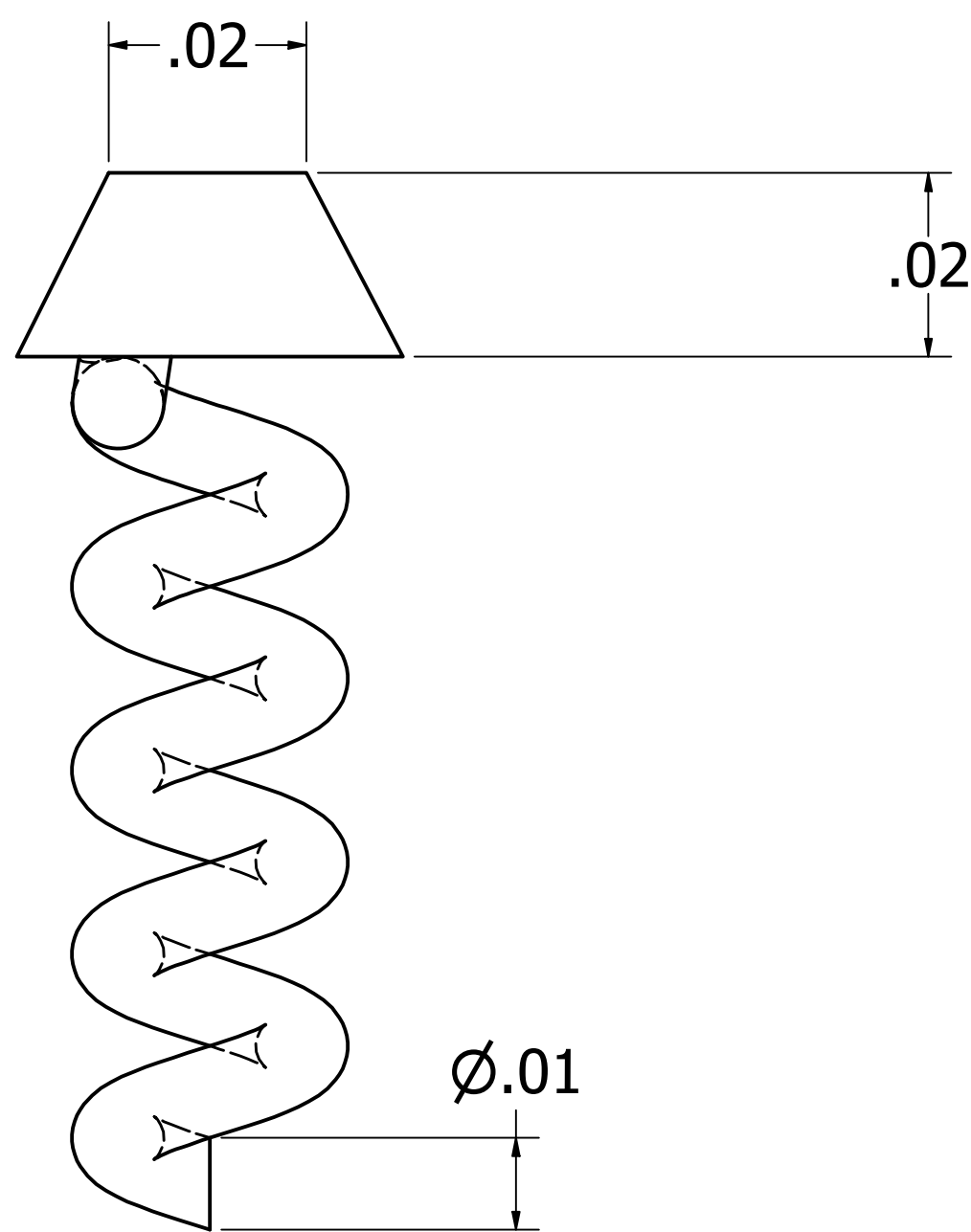
D

D



C

C



B

B

A

A

8 7 6 5 4 4 3 2 1

DRAWN	Yasada De Silva	11/25/2020	TITLE		
CHECKED			Trapped Roller Clutch		
QA			SIZE	DWG NO	REV
MFG			D		
APPROVED			SCALE	50 : 1	SHEET 5 OF 5