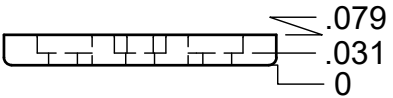
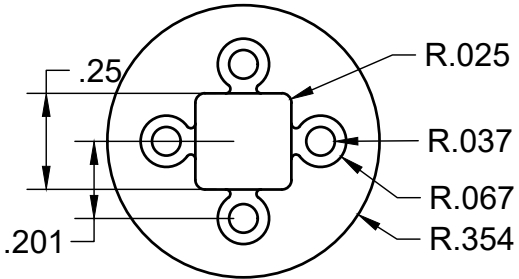
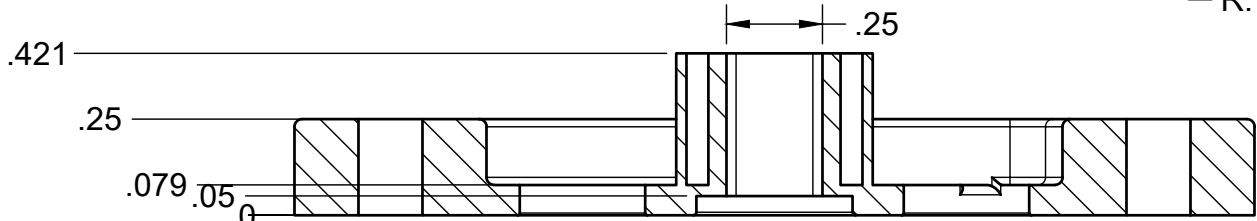
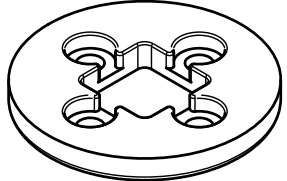
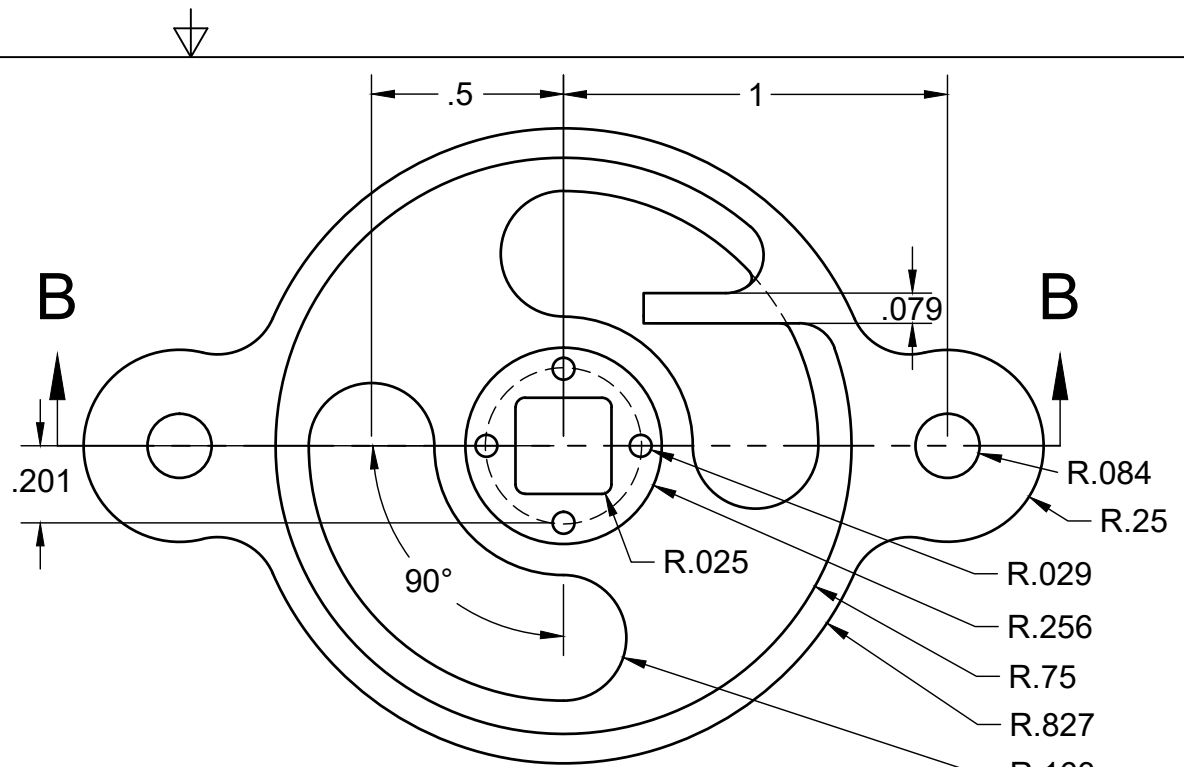
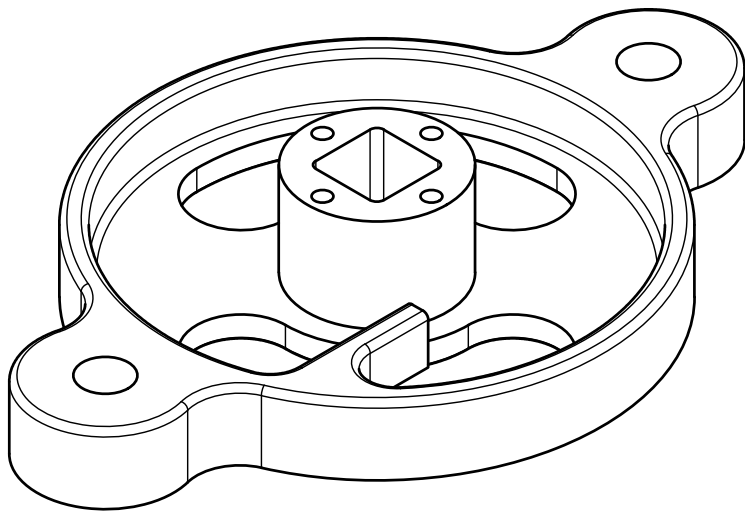


		PROJECT			
		Low-Profile Torsional Tensor			
		TITLE			
		Tensioned Plate Drawing			
APPROVED	SIZE	CODE	DWG NO	REV	
CHECKED	A				
DRAWN	José Lasalde	12/1/2020	SCALE 2:1	WEIGHT	
			SHEET 1/2		



APPROVED		PROJECT			
		Low-Profile Torsional Tensor			
CHECKED		TITLE			
		Ground Plate Drawing			
DRAWN	José Lasalde	12/1/2020	SCALE 2:1	WEIGHT	
SHEET 2/2		SIZE	CODE	DWG NO	REV
		A			