

1

2

3

4

5

6

7

8

A

B

C

D

E

F

A

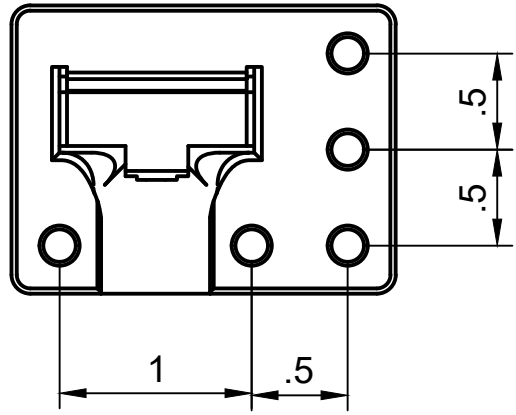
B

C

D

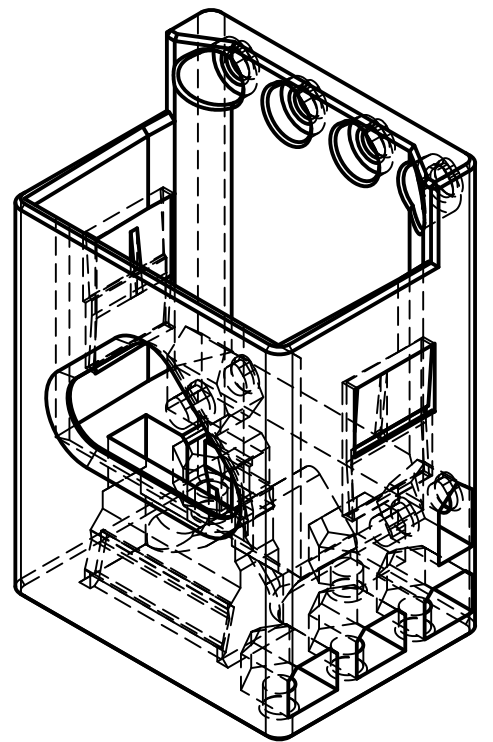
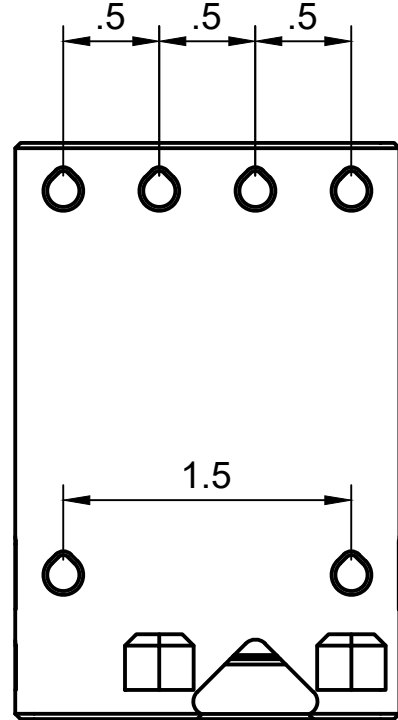
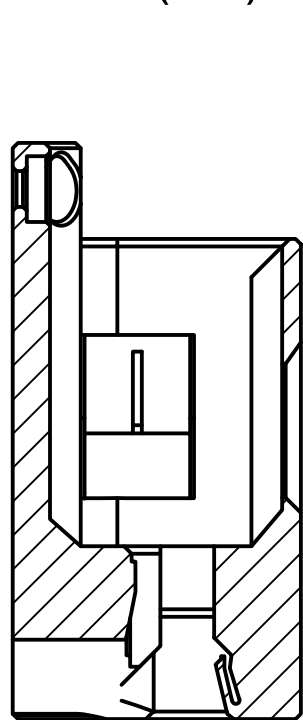
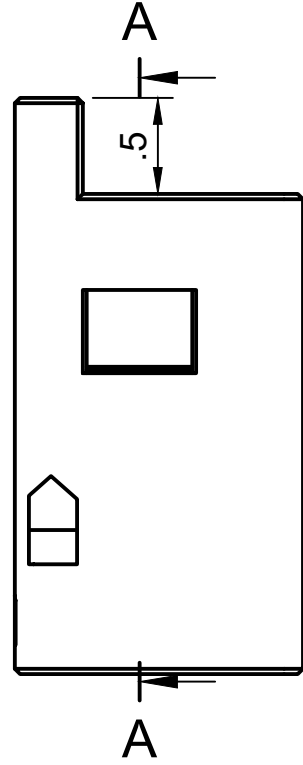
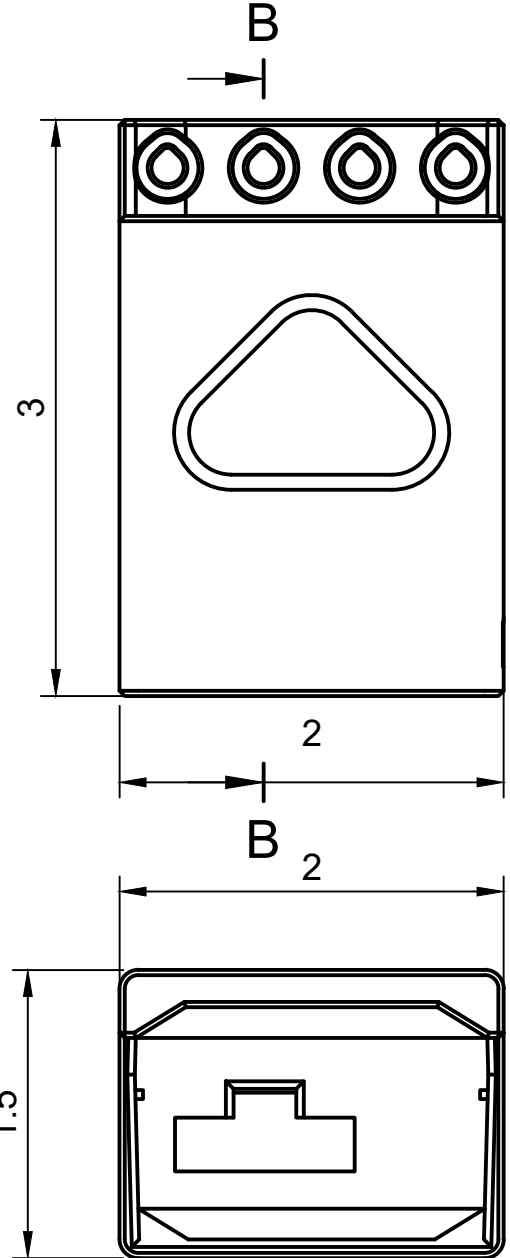
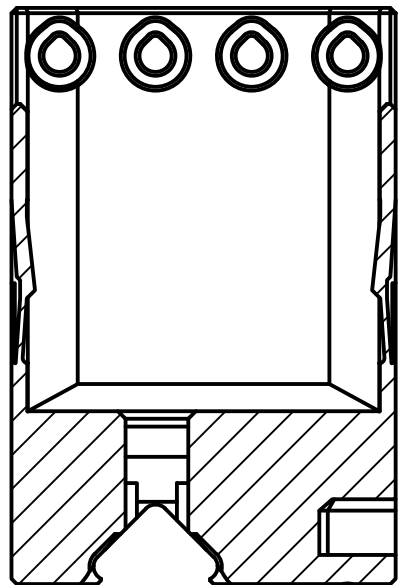
E

F



A-A (1:1)

B-B (1:1)



Dept. 3018E	Technical reference	Created by Justin K	12/8/2020	Approved by
		Document type	Document status	
		Title V5 Battery Dock	DWG No.	
Rev.	Date of issue	Sheet	1/1	